

Installation Instructions:

F-EXT1022 & F-EXT1023

fluid™

Use the F-EXT1022 or F-EXT1023 Extension Kit when the F1022B (2-way diverting) or F1023B (3-way diverting) pressure-balancing valve is installed too deeply behind the finished wall and the trim kit cannot be installed correctly. **The installation method is the same for both the F1022B and F1023B extension kits.** Turn off the water supply at the integral stops before beginning installation.

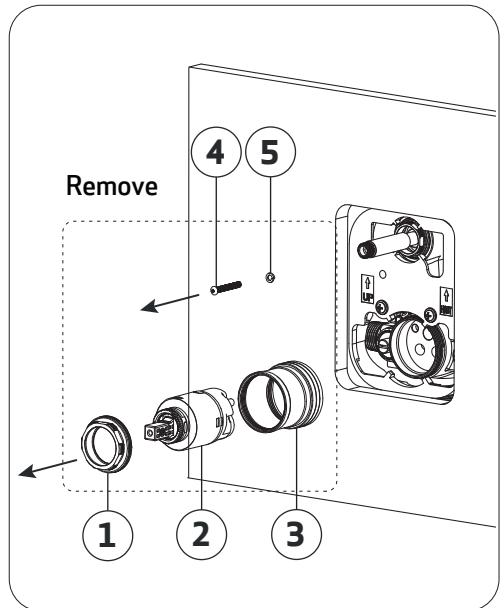
Part A: Remove original components

Pressure Balancing Cartridge

1. Unscrew the brass retaining nut (#1) using a socket or adjustable wrench. Pull the cartridge (#2) straight out.
2. Carefully unscrew and remove the brass sleeve tube (#3) by turning counter-clockwise.

Diverter Cartridge

3. Unscrew and remove the retaining screw (#4) and spring washer (#5).



Scan the QR code



Scan to view the complete F1022B trim installation and operation instructions.



Scan to view the complete F1023B trim installation and operation instructions.

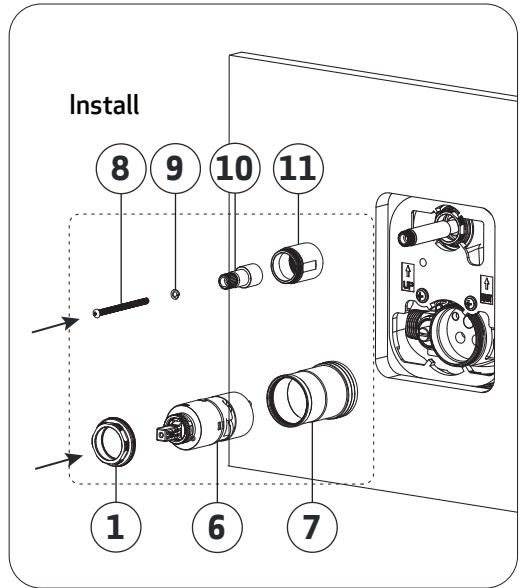
Installation Instructions: F-EXT1022 & F-EXT1023

fluid™

Part B: Install

Pressure Balancing Cartridge

1. Hand-thread the extra-long brass sleeve tube (#7) clockwise onto the valve body.
2. Install the extended cartridge assembly (#6). Align the locating pins with the slots in the valve body and push straight in. **Do not twist.**
3. Hand-thread the brass retaining nut (#1), then tighten an additional $\frac{1}{4}$ to $\frac{1}{2}$ turn with a wrench. **Do not over-tighten.**



Diverter Cartridge

4. Thread the sleeve tube extension (#11) onto valve. Attach stem extension (#10) to existing diverter cartridge stem. Secure with new longer screw (#8) and spring washer (#9).
5. Slowly turn the water back on at integral stops. Check for smooth handle and diverter operation and for leaks before proceeding to trim installation.

IMPORTANT: Two long screws with spring washers are included. Use screw labeled "For F1022B" for F-EXT1022. Use screw labeled "For F1023B" for F-EXT1023.