

# Installation Instructions:

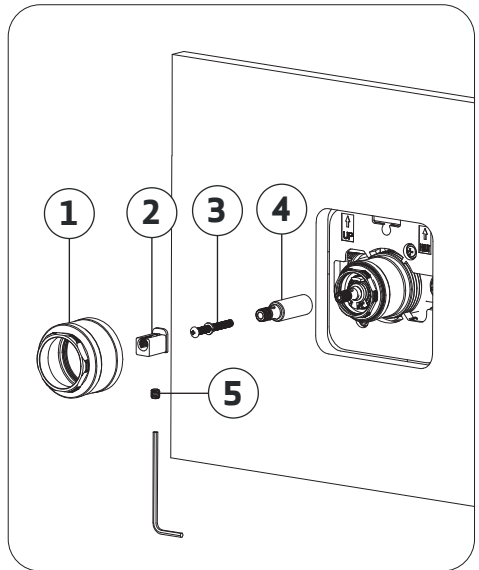
## F-EXT1042

fluid™

Use the F-EXT1042 Extension Kit when the F1042B pressure-balancing valve (single handle 2-way diverting valve) is installed too deeply behind the finished wall and the trim cannot be installed correctly. **Turn off the water supply at the integral stops before beginning installation.**

### Install

1. Loosen the set screw (#5) and remove the square stem adapter (#2) using the supplied Allen wrench.
2. Install the stem extension (#4) using the supplied screw (#3) and tighten with a Phillips screwdriver.
3. Reinstall the square stem adapter (#2) and secure it by tightening the set screw (#5) with the supplied Allen wrench.
4. Hand-thread the brass sleeve tube extension (#1) onto the existing sleeve tube.



### Sustainable Solutions

sustainablesolutions.com  
help@sustainablesolutions.com  
1 800 460 7019

Scan the QR code to view the complete F1042B trim installation and operation instructions.

