

Specifications

- Heavy forged brass construction
- Pressure balancing with built in 2-way ceramic diverter cartridge ensures anti-scald operation
- Single lever handle operation allows flow diversion and temperature control
- Max-temperature limit stop for added safety
- Integral check stop valves for stopping cross flow and easy maintenance
- Inlet ports - 1/2" CxC soldering & 1/2" NPT thread
- Outlet ports - 1/2" CxC soldering & 1/2" NPT thread
- Adjustable installation depth from 2- 7/8" (73.5 mm) to 3 11/16" (93.5 mm)
- Mud guard helps to protect valve from dust and debris during installation
- Bubble level is attached to mud guard for easy and level installation
- Deep wall extension kit F-EXT1042 is sold separately
- Removable mounting bracket provides installation flexibility
- A wide selection of complimentary trims are sold separately

Codes and Standards

- ANSI/ASME A112.18.1
- CSA B125.1
- IAPMO / cUPC Listed



Warranty

Limited Lifetime Faucet Warranty against material and manufacturing defects for residential use.

2 Year Limited Warranty on all industrial, commercial and business applications.

Flow Rate:

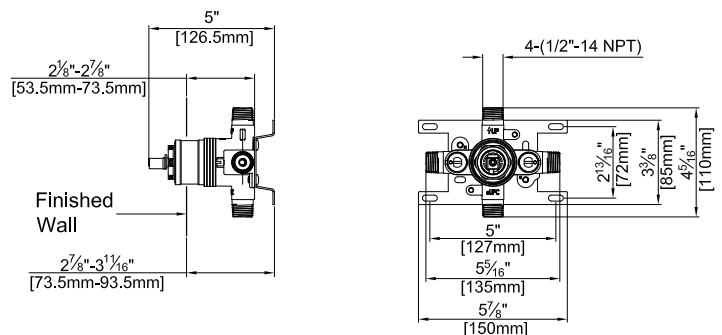
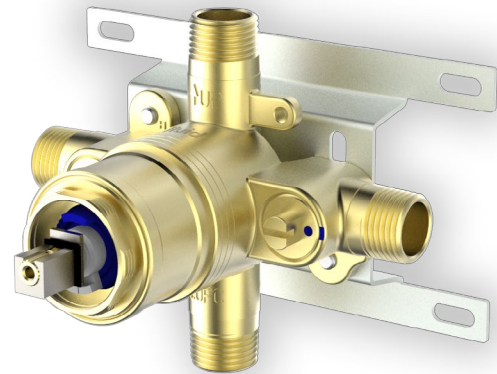
- 5.5 gpm @ 60 psig

Features:

- Heavy Brass
- Integral Stops
- Ceramic Disc Cartridge
- Bubble Level

Pressure Balancing Two Way Valve (Single Handle)

F1042B



Forged from Heavy Brass

Models Available:

- **Solder/NPT:** F1042B
- **PEX:** F1042B-PEX
- **PEX-W:** F1042B-PEX-W

F1042B January 2026

