

**Specifications:**

- **Stainless Steel Construction**
- **Designed to replace a standard wall-mounted showerhead and arm with a slide bar system** featuring a built-in water outlet and diverter to direct flow to either the showerhead or hand shower
- **Works with the existing rough-in valve**—no need to alter plumbing behind the wall or modify the shower wall
- **Two mounting options:** drill into shower wall or drill-free using only the supplied waterproof adhesive
- **3-Function Hand Shower**
- **Adjustable Slide Bar** allows you to change hand shower height
- **8" Swivelling Switch Shower Arm** for adjustable positioning
- **Reversible Hose Elbow** installs left or right
- **Water Inlet** is located at the top installation post
- **Built in Check Valve** prevents backflow
- **Optional 65 mm escutcheons** available for larger wall openings (sold separately)

**Components:**

FP933001	26" Main Slide Bar (Square Trim)
FP900208	8" Shower Arm with 2" Riser
FP40120	3-Function Round Hand Shower *
FP6000150	6" Square Showerhead
FP6001006	60" Shower Hose *

\* **Matte Black Specific Components**

FP6001007MB Hose | FP40130MB Hand Shower

**Switch Retrofit Shower & Hand Shower Trim Kit**

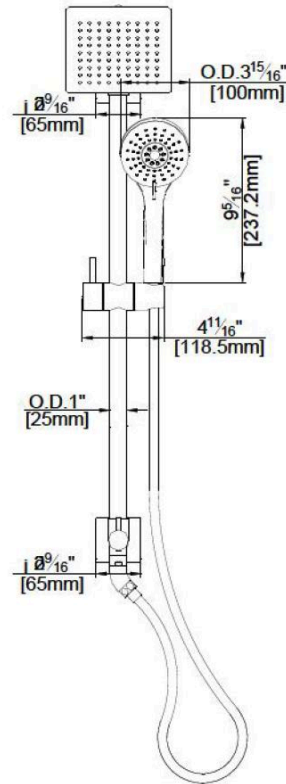
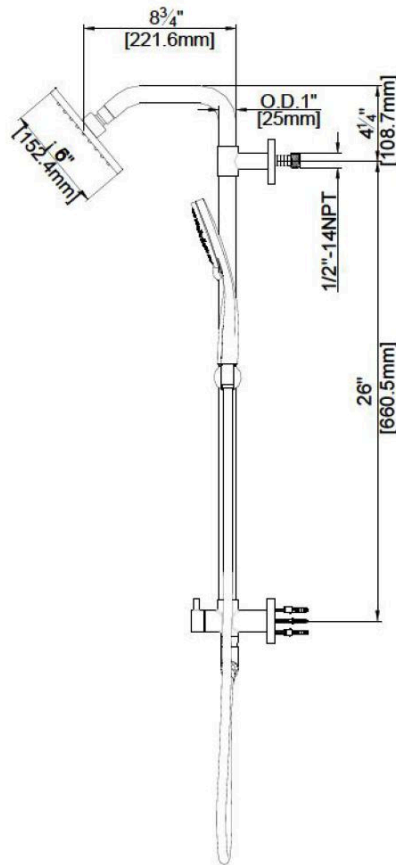
F9408-001



Polished Chrome (CP), Brushed Nickel (BN), and Matte Black (MB)

## Technical Drawing

F9408-001



### Warranty

Limited Lifetime Faucet Warranty against material and manufacturing defects for residential use.

2 Year Limited Warranty on all industrial, commercial and business applications.

### Codes and Standards:

ANSI/ASME A112.18.1

CSA B125.1

IAPMO / cUPC Listed

ADA Compliant

### Flow Rate:

Showerhead 1.8 gpm @ 60 psig

Hand Shower 1.8 gpm @ 60 psig

Low Flow Alternative: Showerhead and Hand Shower @ 1.5 gpm:

**F9408-001-15**