

Specifications

- ➔ Under mount double bowl tight radius kitchen sink
- ➔ High quality fluid sink is hand crafted from #18 gauge (1.0 mm) type 304 stainless steel
- ➔ Minimum cabinet size: 36" (914mm)
- ➔ Has 3 1/2" (90mm) diameter recessed drain opening.
- ➔ Double bowl with rear positioned drain
- ➔ Full undercoating and large rubber pads for noise reduction and condensation elimination.
- ➔ Cut-out template and mounting hardware are included.
- ➔ Stainless steel basket strainer is available and sold separately.
- ➔ The sink is stack packed in bulk.

Overall Dimensions:

32" (813 mm) x 18" (457 mm) x 9" (229 mm)

Codes and Standards

- ➔ ANSI/ASME A112.19.3-2000
- ➔ CSA B45 Series-02
- ➔ IAPMO / cUPC Listed

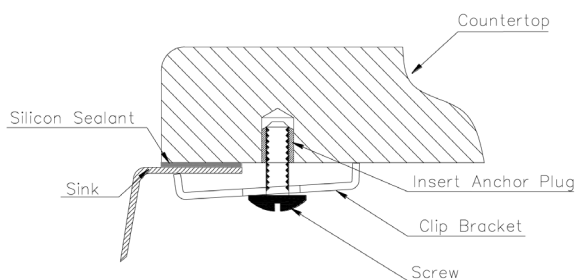


Warranty

Limited Lifetime Sink Warranty against material and manufacturing defects for residential use.

1 Year Limited Warranty on all industrial, commercial and business applications.

Installation Details

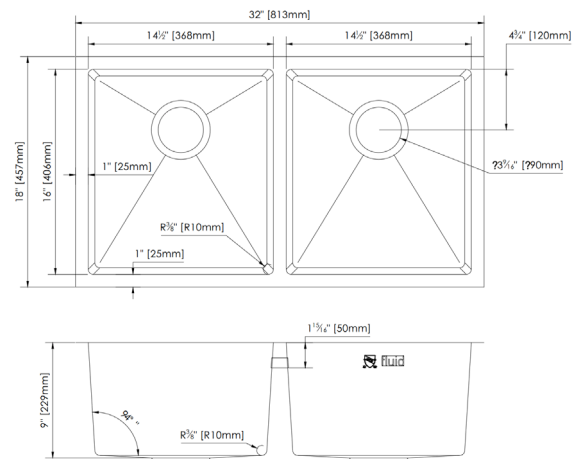


Optional Accesories

Stainless steel basket strainer is available and sold separately.

Tight Radius Undermount Double Bowl Kitchen Sink

FSN-UDR3218



Finish Available: Stainless Steel

Important Note:

Cut-out template is included in the carton box. Fabricator must check it for accuracy. We are not responsible for incorrect cutting.