

Citi 8" Round Rain Shower Only Trim Kit

F241097T-ABS

Specifications:

- Metal construction for durability and reliability
- Pressure balancing volume control
- Maximum temperature limit stop for added safety
- Integral stop check valves for easy maintenance
- Requires the fluid F1001B pressure balancing valve, (sold separately and available in solder, PEX and PEX-W.)
- ADA compliant

Components:

F1001T	Cartridge Sleeve
FP6024041	Blade Handle
FP6001035-1PB	Cover Plate
FP6002150	8" Shower Head
FP6006008	16" Shower Arm



Features:

 Requires non-diverting F1001B or F1021B valve

 Integral Stops

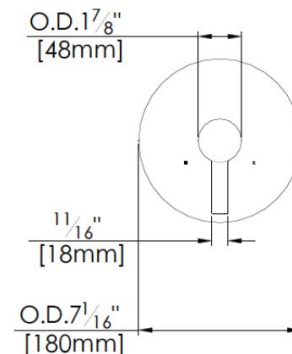
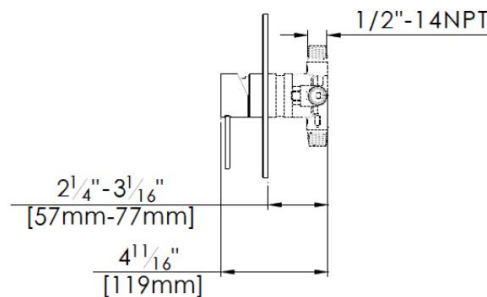
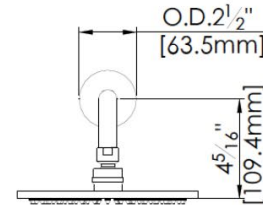
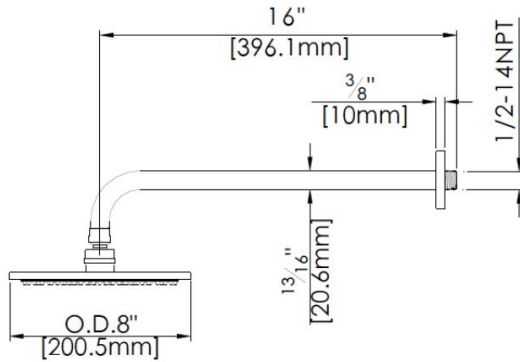
 Bubble Level

 ADA

Polished Chrome (CP), Brushed Nickel (BN) and Matte Black (MB)

Technical Drawing

F241097T-ABS



Codes and Standards: ANSI/ASME A112.18.1, CSA B125.1, IAPMO/cUPC Listed, EPA Watersense Listed

Warranty:

Limited Lifetime Faucet Warranty against material and manufacturing defects for residential use.

2 Year Limited Warranty on all industrial, commercial and business applications.

Kit Variations:

Kit with square style cover plate & diverter handle: [F241097T-ABS-S](#)

Flow Rate:

Shower Head 1.8 gpm @ 60 psig