

## Specifications

- Undermount double bowl kitchen sink
- The high quality fluid sink is hand made of #18 gauge type 304 stainless steel.
- Minimum cabinet size: 33" (838mm)
- Has 3 1/2" (90mm) diameter recessed drain opening.
- Full undercoating and large rubber pads for noise reduction and condensation elimination.
- The exposed surfaces are polished to a satin finish.
- Cut-out template and mounting hardware are included.
- The sink is stack packed in bulk.

### Overall dimensions:

29" (737mm) x 18" (457mm) x 9" (229mm)

### Codes and Standards

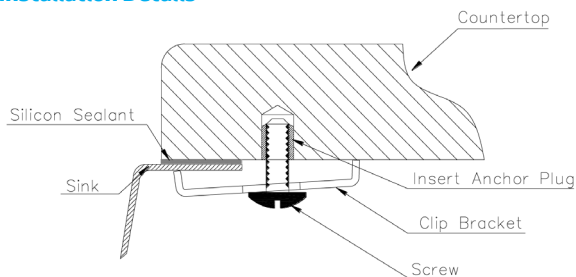
- ANSI/ASME A112.19.3
- CSA B45 Series-02
- IAPMO / cUPC Listed



### Warranty

Limited Lifetime Sink Warranty against material and manufacturing defects for residential use.  
2 Year Limited Warranty on all industrial, commercial

### Installation Details

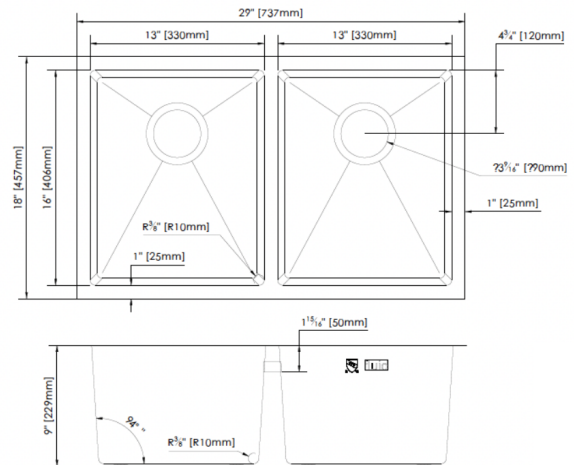


### Optional Accesories

Stainless steel basket strainer is available and sold separately.

## fluid Tight Radius Double Bowl Kitchen Sink

FSN-UDR2918



**Finish Available:** Stainless Steel

### Important Note:

Cut-out template is included in the carton box. Fabricator must check it for accuracy. We are not responsible for wrong cutting.

