

**Caroma Somerton Invisi Dual Flush Wall Hung Toilet**

**This Toilet requires you to select which carrier, buttons, and seat you would like.** All these components are sold separately. Here is an example of how your toilet parts can be broken down.

**In-Wall Carrier**  
237061 or

**Under Counter Carrier**  
237062

**Somerton Invisi Bowl**  
604100



**Rectangle Invisi Buttons**

237020  
(satin, chrome, or matte black)

**Other Button Options:**



**Round Buttons**  
237010 (C, S, MB, W)



**Round ADA Buttons**  
237011 (C,S)



**Remote Square Buttons**  
237023 (C,S)



**Remote Round Buttons**  
237013 (C,S)



**Blank Access Panel**  
237024 (C,S)



**Remote Round ADA Buttons**  
237014 (S)

**Soft Close Detachable Seat**

326611W  
**Consists of Seat + Fixing Kit**

**Other Elongated Seat Options:**



**Soft Close Seat**  
326202W



**Detachable Soft Close Bidet Seat**  
BID1000

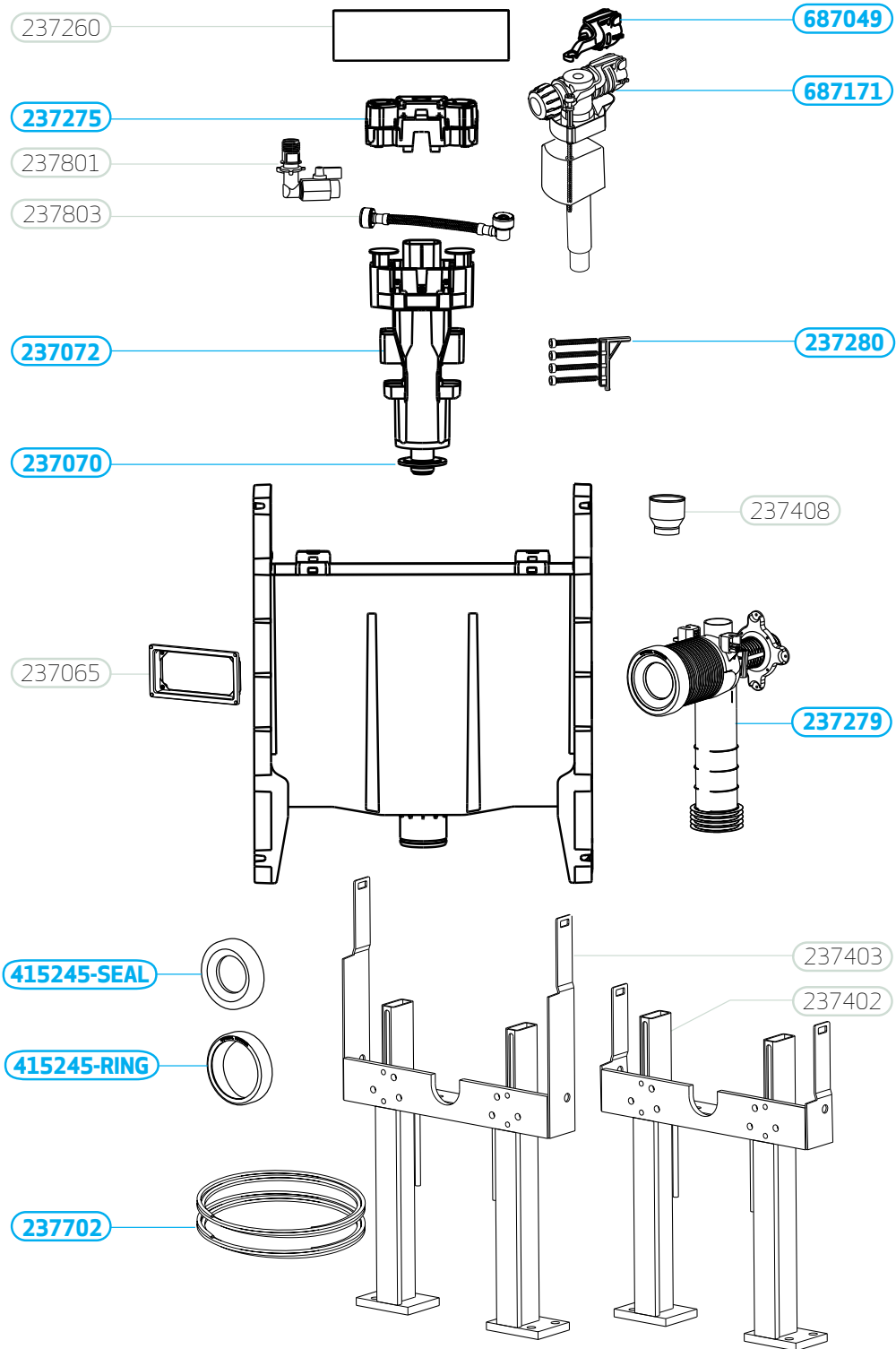


**Commercial Open Front Seat**  
326065W



## Caroma Somerton Invisi Dual Flush Wall Hung Toilet: In Wall Tank Parts Breakdown

**Note:** All numbers in blue are available to purchase on the online parts store. Numbers in black are unavailable on the store.



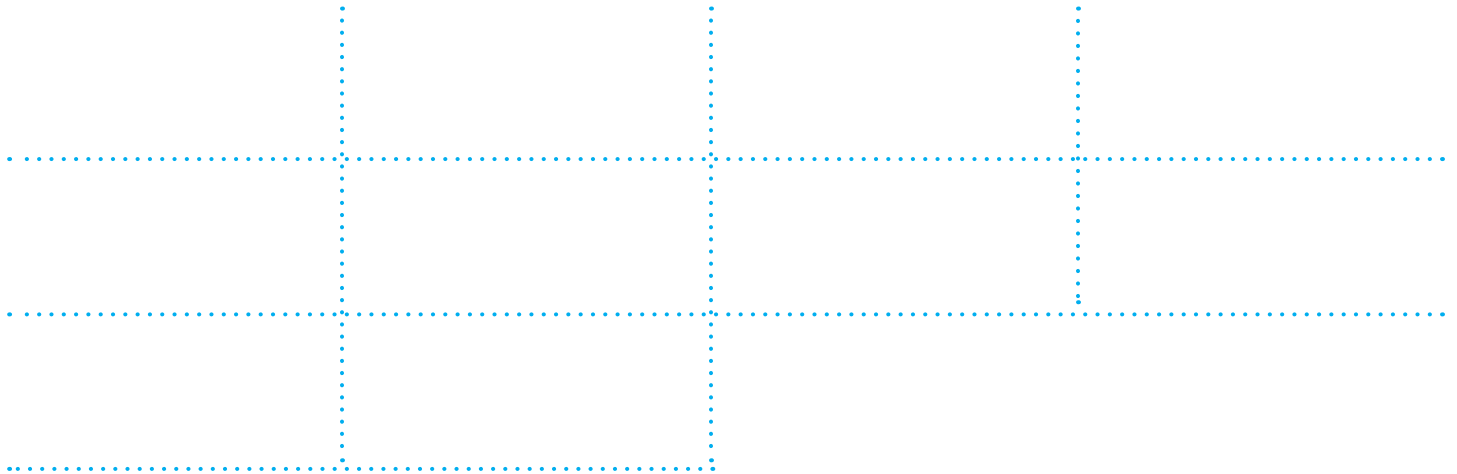
### Need Help?

Email [help@sustainable-solutions.com](mailto:help@sustainable-solutions.com) or call 1 800 460 7019

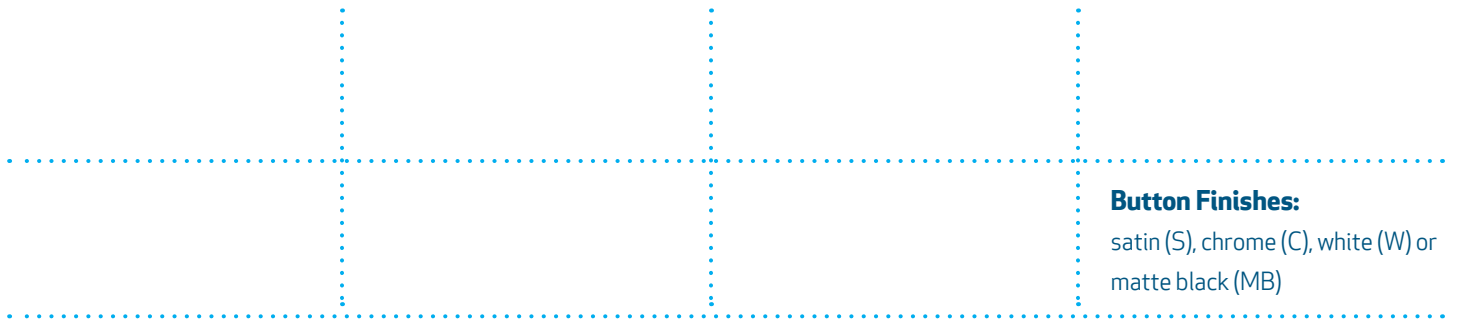
## Caroma Somerton Invisi Dual Flush Wall Hung Toilet

### Shop Invisi II Repair & Maintenance Parts:

#### In-Wall Tank Parts:



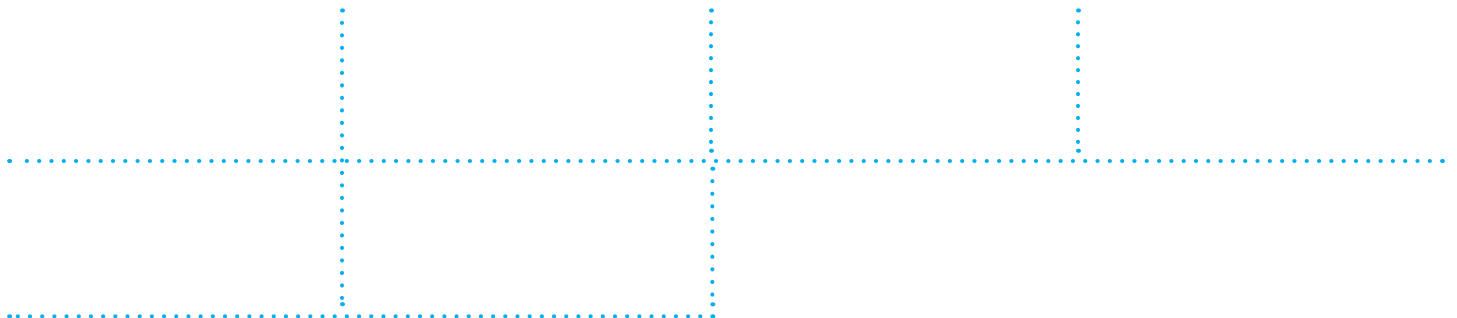
#### Button Replacement Parts:



#### Button Finishes:

satin (S), chrome (C), white (W) or  
matte black (MB)

#### Seat Replacement or Maintenance Parts:



#### Need Help?

Email [help@sustainable-solutions.com](mailto:help@sustainable-solutions.com) or call 1 800 460 7019