

## fluid 3" Ceiling Shower Arm with Round Escutcheon

FP6018308MB

### Specifications:

- Heavy brass construction
- Round escutcheon
- 1/2" NPT to connect to the drop elbow inside the ceiling
- 1/2" male thread to connect to the shower head
- Adjustable escutcheon for easy installation

### Warranty:

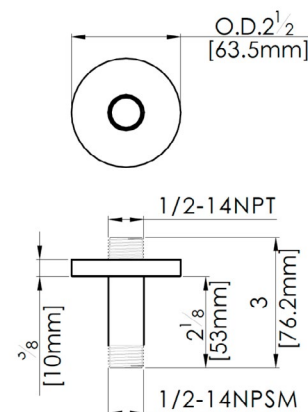
Limited Lifetime Faucet Warranty against material and manufacturing defects for residential use.

2 Year Limited Warranty on all industrial, commercial and business applications.

### Features:

**ABS** Manufactured out of ABS

Matte Black(MB)



FP6018308MB August, 2024

