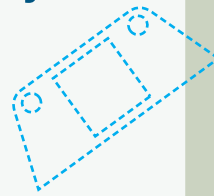


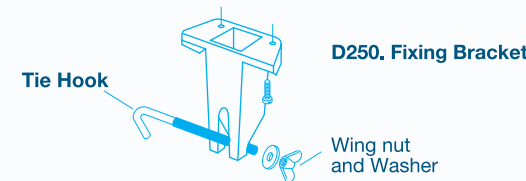
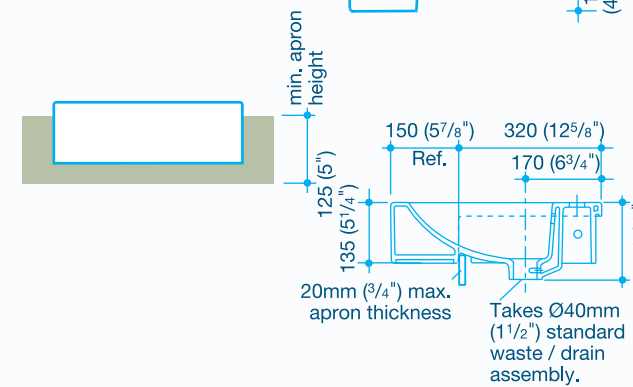
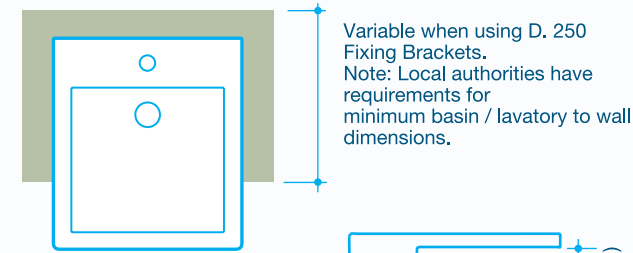
Liano

Ceramic Semi-Recessed Basin / Lavatory



Countertop (horizontal surface)

Counter apron (vertical surface)



Fold

Cut-out Template

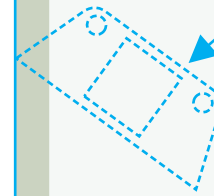


Counter apron (vertical surface)

Ø20mm (3/4") Hole



Position of D.250 Bracket



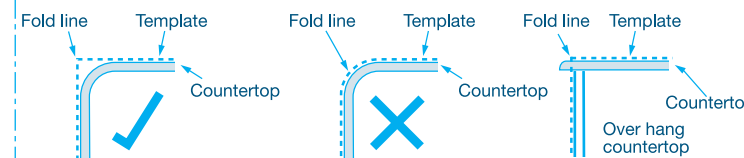
Basin Sealing Rim

- 1- Fold template and place over countertop and apron.
- 2- Attach template cut-out guide to countertop with adhesive tape or otherwise transfer cut-out line to countertop.
- 3- Cut out countertop with care.
- 4- Fit taps/faucets and waste/drain assembly to basin.
- 5- Apply a layer of acetic cured silicone sealant/caulking around the sealing rim and apron.
Important: do not use epoxy sealants.
- 6- Align and secure the brackets to the underside of countertop in the corner positions as shown.
- 7- Attach the Tie Hooks to the holes in the basin and lower into opening. Secure from underneath.
8. Connect waste/drain assembly to trap and plumb taps/faucets.

IMPORTANT :
EPOXY TYPE GLUES MUST NOT BE USED.

NOTE :
FOR GRANITE OR MARBLE TOPS, FIX TWO 20MM THICK WOODEN BLOCKS IN THE BRACKET POSITION ON THE UNDERSIDE OF THE GRANITE/MARBLE WITH FAST SETTING TWO PART EPOXY. WHEN FULLY SET SCREW THE BRACKETS INTO POSITION ON THE WOODEN BLOCKS. OTHER SUITABLE FASTENING SYSTEMS MAYBE USED.

IMPORTANT- PLEASE NOTE: THE TEMPLATE FOLD LINE BETWEEN THE HORIZONTAL AND VERTICAL SURFACES MUST REMAIN AS A SHARP RIGHT ANGLE. ROLLING THE TEMPLATE OVER A RADIUS MAY CAUSE THE CUT OUT TO BE TOO BIG FOR THE BASIN/LAVATORY.



For over hang countertop situation, position the template fold line on the countertop and apron as detailed.