

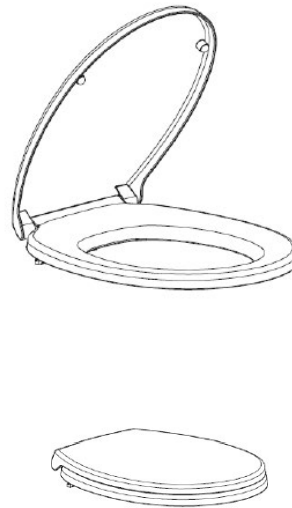
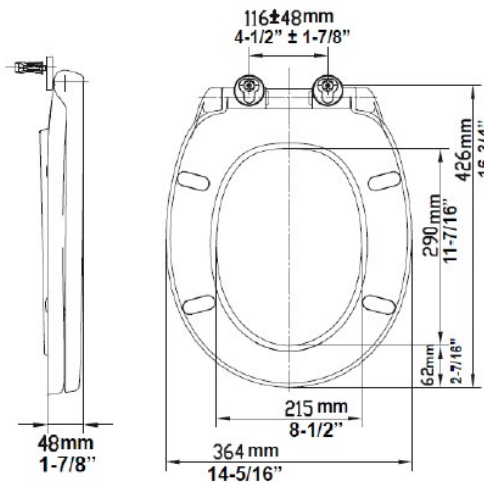
Soft Close Detachable Round Front Toilet Seat

326621W



Specifications:




- **Soft-close** technology prevents the lid from slamming down. Lid always closes softly and quietly.
- **Top fixing** for ease of installation and maintenance
- Sturdy polypropylene construction resists staining, fading, chipping and peeling
- Engineered to ensure excellent fit and comfort



Warranty:

Two-year limited warranty
One year warranty for commercial and business use.

Features:

-  Detachable Seat
-  Top Fixing Installation
-  Soft Closing

Contact Us:

Email: help@sustainable-solutions.com

Toll free: +1 800 460 7019

326621W August 2024

