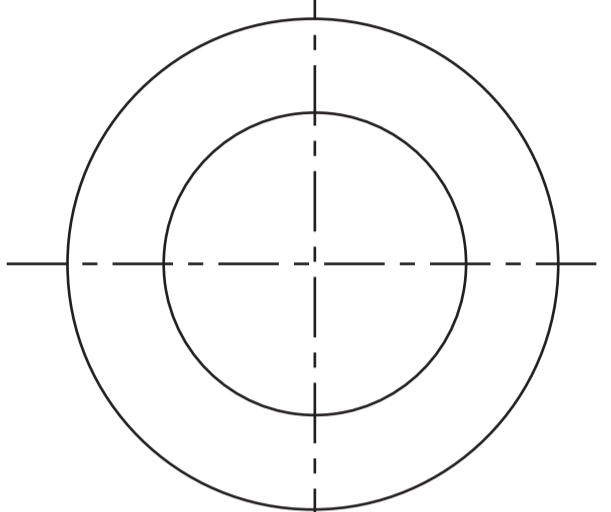


Vitreous China Liano 430 Under Counter Vanity Basin

caroma®



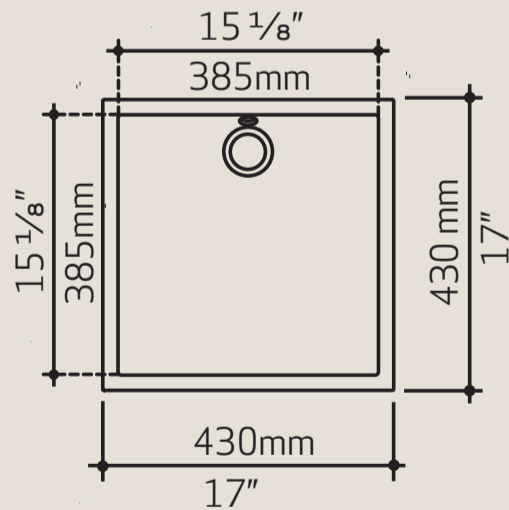
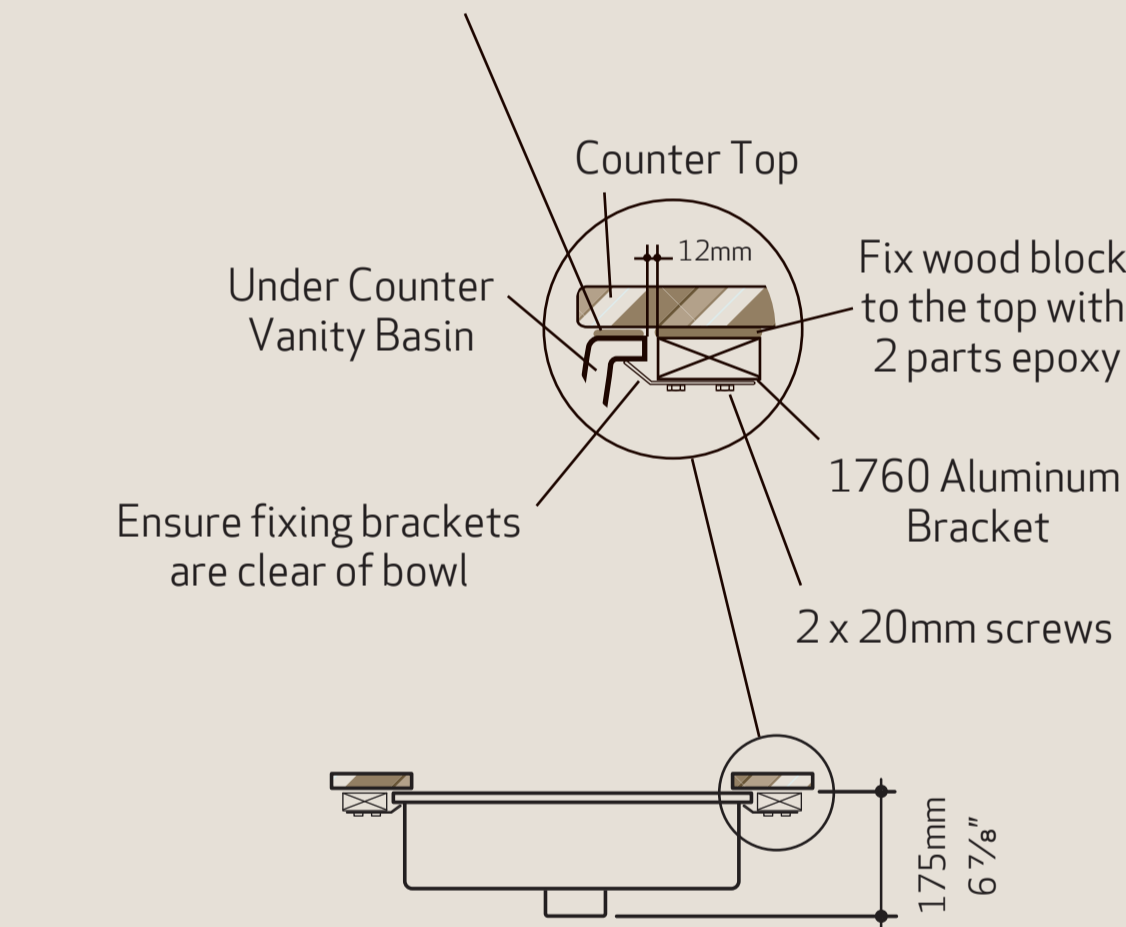
Installation Instructions

This basin can be installed under solid surface counter tops, such as marble or granite.

1. Attach the template cut-out guide to the countertop with adhesive tape.
2. Cut out the countertop with care.
3. Fit a waste outlet to the basin. Care should be taken not to over tighten the waste as this may damage the basin.
4. Apply a layer of approved acetic cured silicone sealant around the top side of the sealing rim. **Important: do not use epoxy sealants**
5. Attach the sink to the underside of the countertop using the four 1760 under counter vanity brackets, (included), evenly spaced around the basin. **Important: four wooden blocks should be permanently fitted to marble and granite tops before attaching the basin with the 1760 brackets.**
6. Connect to an approved basin plumbing trap that meets local plumbing codes.

Cut-Out Size: **370 x 360mm** (14 9/16 x 14 3/16")

Important:
Use only approved acetic cured silicone sealant.
Epoxy type glues must not be used.



1760 Aluminum Bracket

Sealing Rim

Cut-out Template Under-Counter

664208W