

fluid Round ABS 8" Rain Shower Head

FP6002150

Specifications:

- High quality ABS Round Rainshower Head
- Self-cleaning nozzles to help eliminate scale build-up
- 1/2" brass ball joint

Flow Rate

- 1.8 gpm @ 60 psig

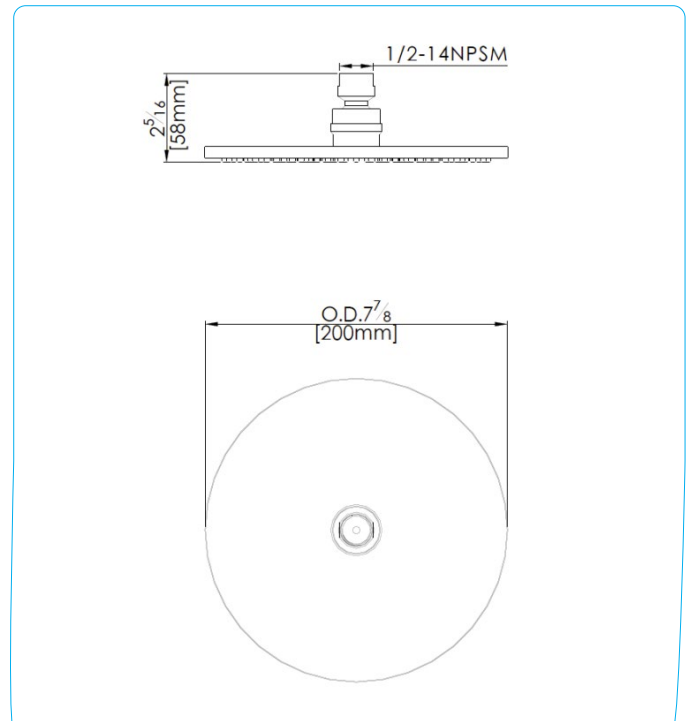
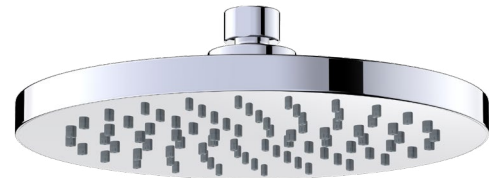
Low flow alternative: @1.5 gpm @60 psig

[FP6002150-15](#)

Warranty:

Limited Lifetime Faucet Warranty against material and manufacturing defects for residential use.

2 Year Limited Warranty on all industrial, commercial and business applications.



Features:

- ABS** Manufactured out of ABS

Available in Polished Chrome (CP), Brushed Nickel (BN) and Matte Black (MB)