



## Somerton Smart Two Piece

Easy Height & Elongated Vitreous China High Efficiency (HET) Washdown Toilet with Top Dual Flush Push Button

1.28/0.8 gpf (4.8/3 lpf)

#829109 Bowl #810788 Tank

### PLUMBER'S INSTALLATION INSTRUCTIONS. PLEASE READ CAREFULLY BEFORE INSTALLATION.

#### Rough in:

It is possible to fix the toilet into a 10" (255mm) to 12" (305mm) rough in positions by rotating the offset adaptor.

#### IMPORTANT:

Do not use a wax ring with a reducing horn on this toilet as it reduces the flushing efficiency as shown in Fig.1.

#### Working Water Pressure:

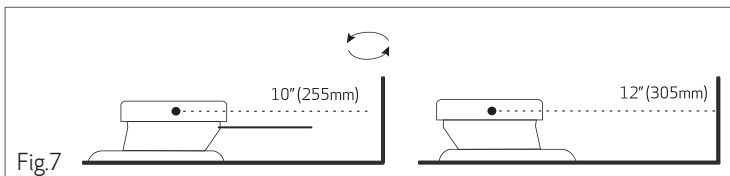
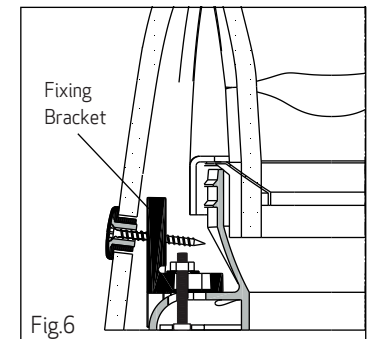
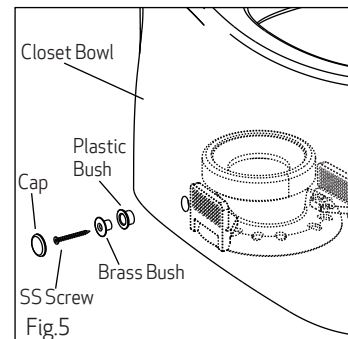
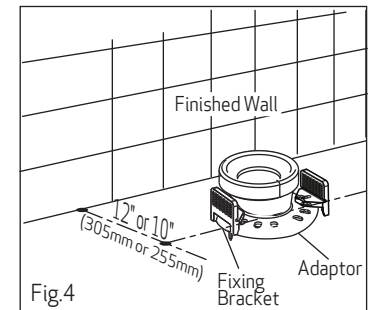
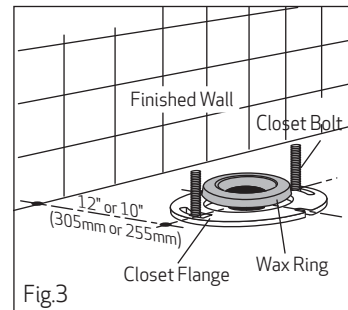
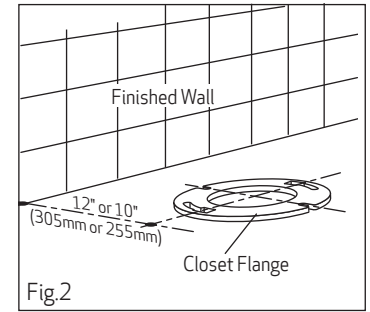
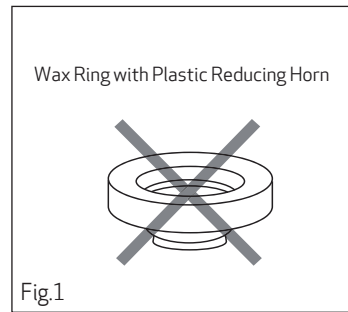
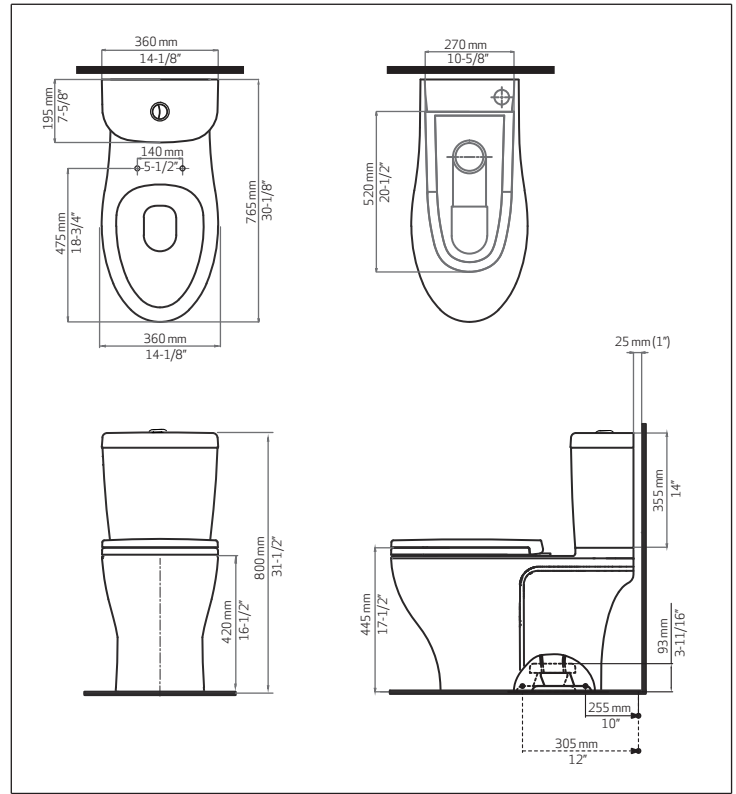
USA & Canada: Recommended working water pressure 20-80psi (140-550Kpa).

#### Flushing Operation:

Push down the side lever handle for a full flush (1.28 gpf/4.8 lpf) and pull up for a reduced flush (0.8 gpf/3 lpf).

#### Installation Procedure:

1. It is important for the installation of Somerton Smart 2 PC washdown bowl that the closet flange be accurately set out from the finished wall as detailed in Fig.2.
2. Position wax ring and offset adaptor onto closet bolts as detailed in Fig. 3 and 4, ensuring that the offset adaptor is positioned for a 10" (255mm) to 12" (305mm) rough in as shown in Fig.7.
3. Place a fixing bracket (#687088) onto each closet bolt and hand tighten the nuts and washers onto the closet bolts as detailed in Fig 4. Apply an additional turn by wrench for final installation.
4. Ensure that the area around the closet bowl is clean and free from building materials.
5. Accurately align the closet bowl over the offset adaptor and lower into position.
6. Insert the plastic and brass bushings into the bowl fixing holes as shown in Fig.5. Secure the bushings through the holes in fixing brackets with SS screws as shown in Fig. 6. Spacing between the outside of the Somerton bowl and the fixing bracket can vary. To ensure the best possible installation 2 lengths of SS screws have been supplied. If when fastening there is no resistance, (meaning that the screw has not sufficiently fastened into the fixing bracket), substitute the longer 55mm (2-3/16") screws. Do not start with the longer hardware as you do not want the screws to insert past the fixing bracket into the offset adaptor, as this can affect your seal. Cover the holes with caps.
7. It is recommended that a bead of silicone caulking is applied fully around base of the closet bowl, leaving 1-2" at the rear.
8. Remove any excess silicone caulking.



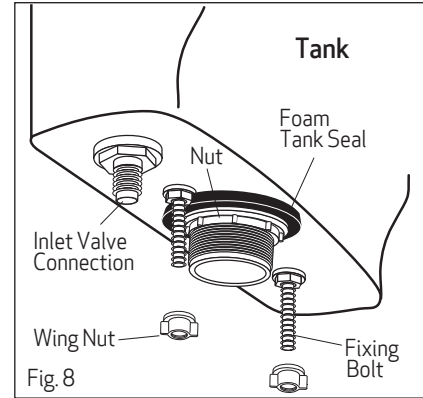
## Somerton Smart Two Piece

Easy Height & Elongated Vitreous China High Efficiency (HET) Washdown Toilet with Top Dual Flush Push Button 1.28/0.8 gpf (4.8/3 lpf)

#829109 Bowl #810788 Tank

### Tank Fixing Procedure:

1. Determine the type of water supply connection to be used. Braided supply lines can simply be attached to the inlet valve connection. If a 3/8" hard tube/pipe connection is being used, a tapered rubber seal and wing nut assembly is included.
2. Connect the supplied braided toilet supply line to the end of inlet valve connection. Tighten with a wrench by 1/4 turn. Do not overtighten. Note: the braided supply line must be attached before installing the tank onto the bowl.
3. Ensure that the foam seal is fitted onto the tail piece on the underside of the tank as detailed in Fig.8.
4. Lower tank onto closet bowl, allowing the two tank fixing bolts protruding below the tank to fit through the corresponding holes in the bowl.
5. Fit the supplied plastic wing nuts onto the tank fixing bolts that are protruding through the bowl and gradually tighten the left and right wing nuts by hand to evenly secure tank to bowl.
6. Connect water supply and check connections for any leaks.
7. Install the toilet seat according to the instructions included with the seat.
8. Push the large button down firmly for a full flush and the small button for a reduced flush.
9. Fit the tank lid onto the top of tank.



All measurements are subject to accepted manufacturing tolerances. The manufacturer reserves the right to change specifications at any time without giving prior notification. The product should be installed by a qualified plumber. Local authority, Water Board, and Building Regulations may apply to the installation of this product, and you should consult the appropriate bodies on these requirements. Failure to comply may invalidate the product warranty.

### Tank Spare Parts

**Inlet Valve Replacement Parts**

Code	Part Description
A1280-REPAIRKIT	Rubber Seal Kit
A1280	Inlet Valve

**Outlet Valve Replacement Parts**

Code	Part Description
ARA2419001	Outlet Valve Diaphragm Seal
A24231	Outlet Valve
A361053	Dual Flush Top Push Button

### CLEANING INSTRUCTIONS FOR VITREOUS CHINA:

To preserve the glazed surface, this toilet should be cleaned only with a mild household detergent or warm soapy water. Do not use any abrasive cleaners in the tank or bowl as this can damage the glazing. Use of in tank cleaners or bleach tablets may void warranty.

For spare parts contact:

## Sustainable Solutions

Under license from Caroma Industries Limited, Australia  
 Manufactured by Sustainable Solutions  
 Vancouver, BC, Canada + Ferndale, WA, USA  
 Telephone: (604) 430.2020  
 Toll Free: (800) 460.7019  
[help@sustainablesolutions.com](mailto:help@sustainablesolutions.com)  
[www.caromausa.com](http://www.caromausa.com) [www.sustainablesolutions.com](http://www.sustainablesolutions.com)



ULTRA HIGH EFFICIENCY TOILET  
**UHET**

