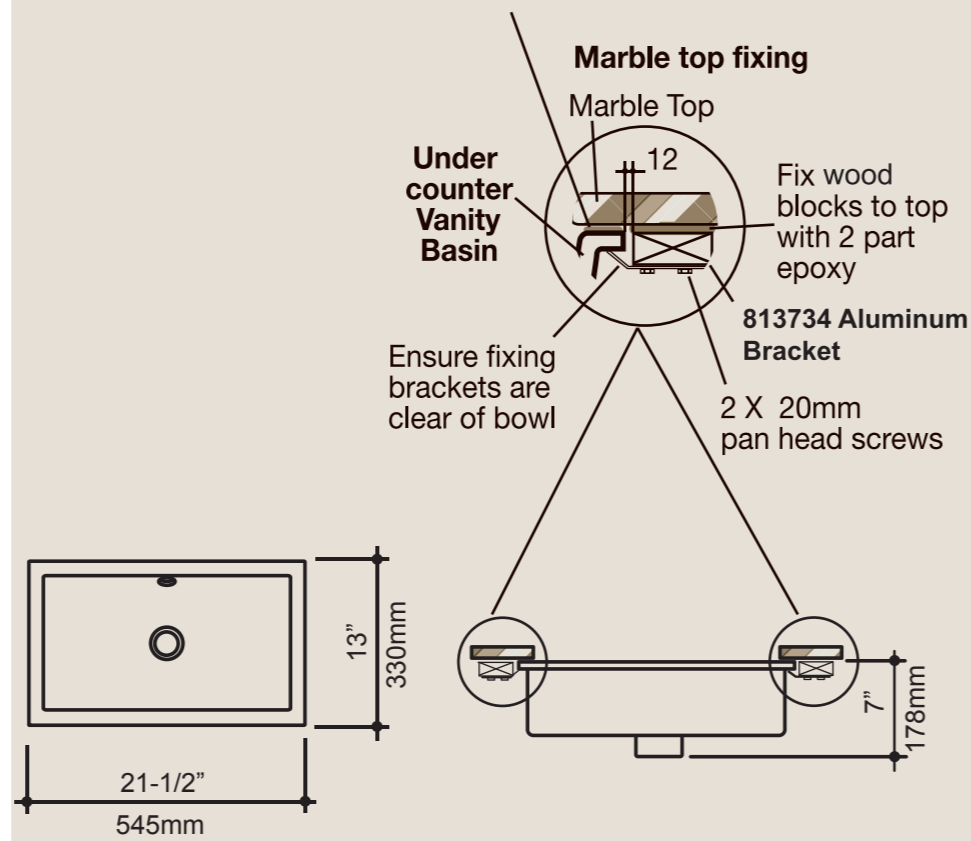


Sealing Rim

caroma®

Cube II Under Mount Vanity Basin #760502 Cutout Template & Installation Instructions

IMPORTANT
Use only approved acetic cured silicon sealant.
Epoxy Type glues must not be used.



Plumber's Installation Instructions

The basin can be installed under marble / granite or wood countertops.

- 1- Attach template cutout guide to the countertop with adhesive tape or otherwise transfer cut out line to the countertop.
- 2- Cut out countertop with care.
- 3- Fit a waste outlet to the basin. Care should be taken not to over tighten the waste as this may damage the basin.
- 4- Apply a layer of approved acetic cured silicone sealant around the top side of the sealing rim.
Important: do not use epoxy sealants.
- 5- Fix to the underside of the countertop using wood blocks & four #813734 under counter vanity brackets evenly spaced around the basin. Secure vanity brackets #813734 with pan head screws(not included).
Important: four wooden blocks should be permanently fitted to marble / granite tops before fixing the basin with the #813734 vanity brackets.
- 6- Connect an approved trap, eg. a polypropylene combination S & P trap compression joint waste trap.

Cutout Size
18-7/8"(480mm) x 10-7/16"(265mm)

Cut-out Template Under-Counter

Cut-out Template Under-Counter

Cut-out Template Under-Counter

Cut-out Template Under-Counter

Cut-out Template Under-Counter

Cut-out Template Under-Counter

Sealing Rim

Sealing Rim

Sealing Rim