

Somerton Smart Two Piece

1.28/0.8 gpf (4.8/3 lpf) Easy Height & Elongated Vitreous China Dual Flush High Efficiency (HET) Washdown Toilet

Left Lever Tank: **#829110**

Right Lever: **#829110-R** Bowl: **#829109**



Plumbers Installation Instructions

PLEASE READ CAREFULLY BEFORE INSTALLATION.

Rough in:

This toilet can be installed into a 10" or 12" rough in, by rotating the offset adaptor.

IMPORTANT:

Do not use a wax ring with a reducing horn on this toilet as it reduces the flushing efficiency as shown in **Fig.1**.

Working Water Pressure:

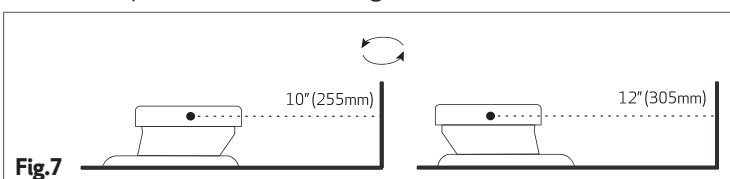
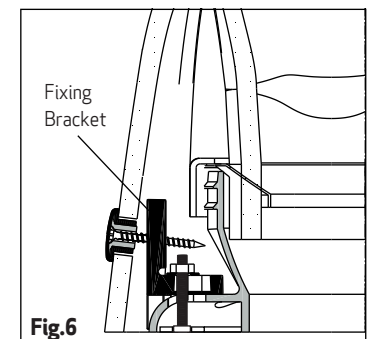
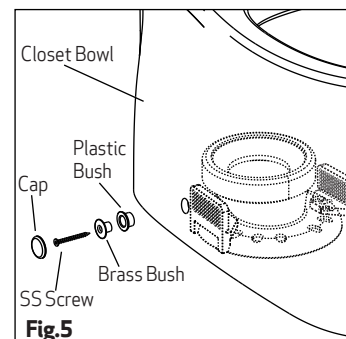
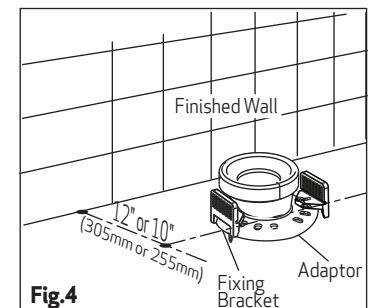
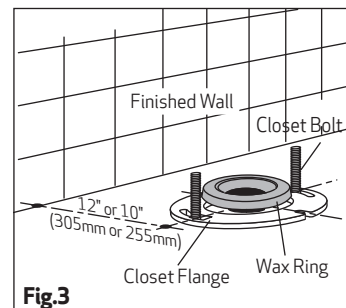
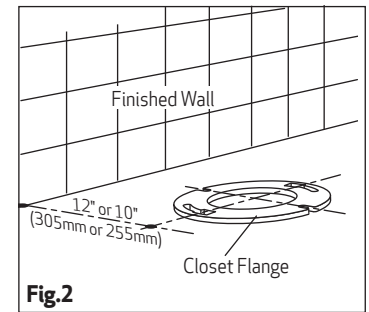
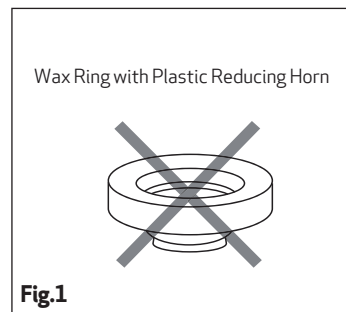
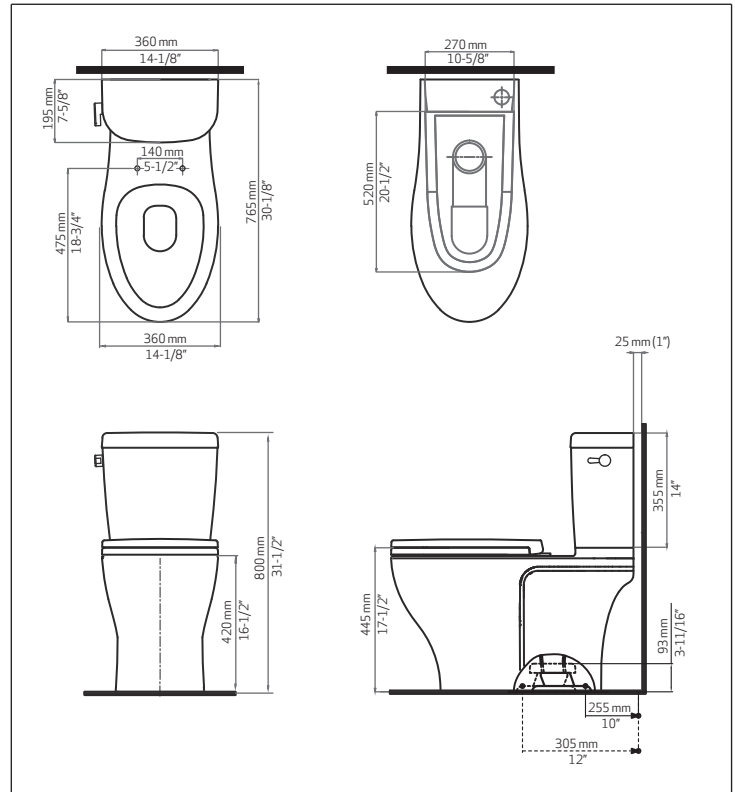
USA & Canada: Recommended working water pressure 20-80psi (140-550Kpa).

Flushing Operation:

Push down firmly the side lever handle for a full flush (1.28 gpf/4.8 lpf) and pull up for a reduced flush (0.8 gpf/3 lpf).

Installation Procedure:

1. It is important for the installation of the Somerton Smart 2 PC washdown bowl that the closet flange be accurately set out from the finished wall as detailed in **Fig.2**.
2. Position wax ring and offset adaptor onto closet bolts as detailed in Fig. 3 and 4, ensuring that the offset adaptor is positioned for 10" (255mm) or 12" (305mm) rough in as shown in **Fig.7** below.
3. Place a fixing bracket (#687088) onto each closet bolt and hand tighten nuts and washers onto the closet bolts as detailed in **Fig.4**. Apply an additional turn by wrench for final installation.
4. Ensure that the area around the closet bowl is clean and free from building materials.
5. Accurately align the closet bowl over the offset adaptor and lower into position.
6. Insert the plastic and brass bushings into the bowl fixing holes as shown in **Fig.5**. Secure the bushings through the holes in fixing brackets with SS screws as shown in **Fig.6**. Spacing between the outside of the Somerton bowl and the fixing bracket can vary. To ensure the best possible installation 2 lengths of SS screws have been supplied. If when fastening there is no resistance, (meaning that the screw has not sufficiently fastened into the fixing bracket), substitute the longer 55mm (2³/₁₆" screws. Do not start with the longer hardware as you do not want the screws to insert past the fixing bracket into the offset adaptor, as this can affect your seal. Cover the holes with caps.
7. It is recommended that a bead of silicone caulking is applied fully around base of the closet bowl, leaving 1-2" at the rear of the bowl.
8. Remove any excess silicone caulking.

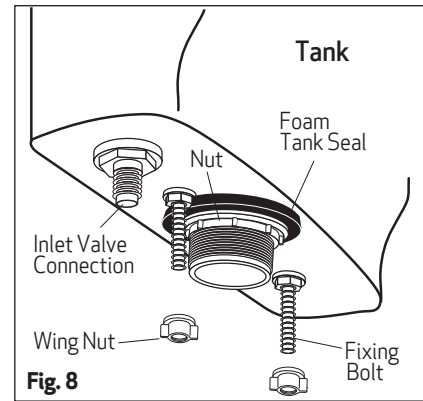


Somerton Smart Two Piece 1.28/0.8 gpf (4.8/3 lpf) Easy Height & Elongated Dual Flush Two Piece Washdown Toilet

Bowl #829109 Tank #829110 / 829110-R

Tank Fixing Procedure:

1. Determine the type of water supply connection to be used. Braided supply lines can simply be attached to the inlet valve connection. If a 3/8" hard tube/pipe connection is being used, a tapered rubber seal and wing nut assembly is included.
2. Connect the supplied braided toilet supply line to the end of inlet valve connection. Tighten with a wrench by 1/4 turn. **Do not** overtighten. **Note: the braided supply line must be attached before installing the tank onto the bowl.**
3. Ensure that the foam seal is fitted onto the tail piece on the underside of the tank as detailed in Fig.8.
4. Lower tank onto closet bowl, allowing the two tank fixing bolts protruding below the tank to fit through the corresponding holes in the bowl.
5. Fit the supplied plastic wing nuts onto the tank fixing bolts that are protruding through the bowl and gradually tighten the left and right wing nuts by hand to evenly secure tank to bowl.
6. Connect water supply and check connections for any leaks.
7. Install the toilet seat according to the instructions included with the seat.
8. Fit the tank lid onto the top of tank.



All measurements are subject to accepted manufacturing tolerances. The manufacturer reserves the right to change specifications at any time without giving prior notification. The product should be installed by a qualified plumber. Local authority, Water Board, and Building Regulations may apply to the installation of this product, and you should consult the appropriate bodies on these requirements. Failure to comply may invalidate the product warranty.

Tank Spare Parts

Inlet Valve Replacement Parts

Code	Part Description
A1280-REPAIRKIT	Rubber Seal Kit
A1280	Inlet Valve

Outlet Valve Replacement Parts

ARA2419001	Outlet Valve Diaphragm Seal
A24233	Outlet Valve
A2423330200	Left Handle Lever
A2423330200-R	Right Handle Lever

CLEANING INSTRUCTIONS FOR VITREOUS CHINA:

To preserve the glazed surface, this toilet should be cleaned only with a mild household detergent or warm soapy water. Do not use any abrasive cleaners in the tank or bowl as this can damage the glazing. Use of in tank cleaners or bleach tablets may void warranty.

For spare parts contact:

Under license from Caroma Industries Limited, Australia
 Manufactured by Sustainable Solutions
 Vancouver, BC, Canada + Ferndale, WA, USA
 Telephone: (604) 430.2020 Toll Free: (800) 460.7019
 help@sustainable-solutions.com
 www.caromausa.com www.sustainable-solutions.com

Sustainable Solutions



ULTRA HIGH EFFICIENCY TOILET
UHET

