



Caravelle Smart Two Piece

1.28/0.8 gpf (4.8/3 lpf)
 Easy Height & Elongated
 Vitreous China Dual Flush High
 Efficiency (HET) Washdown Toilet

Bowl: #920102W

Tank: #920100W

Plumbers Installation Instructions

PLEASE READ CAREFULLY BEFORE INSTALLATION.

Rough in:

This toilet can be installed into a 10" or 12" rough in, by rotating the offset adapter.

IMPORTANT:

Do not use a wax ring with a reducing horn on this toilet as it reduces the flushing efficiency as shown in **Fig.1**.

Working Water Pressure:

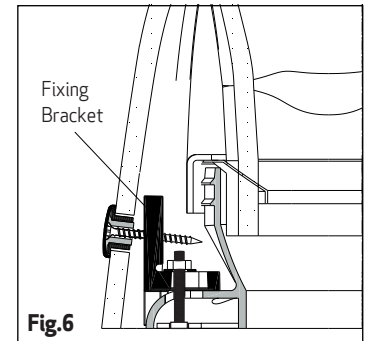
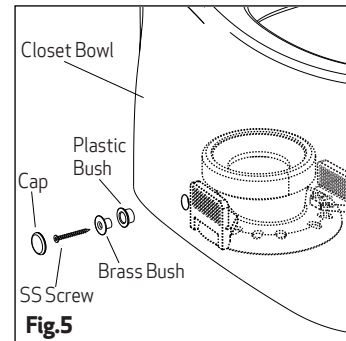
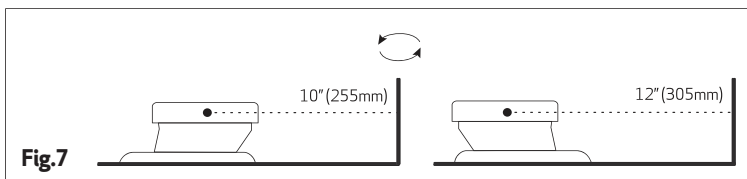
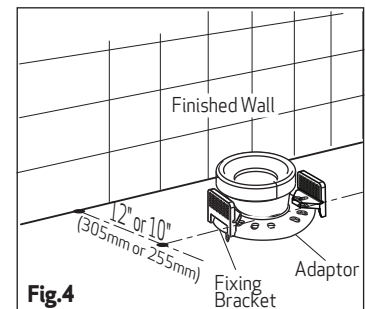
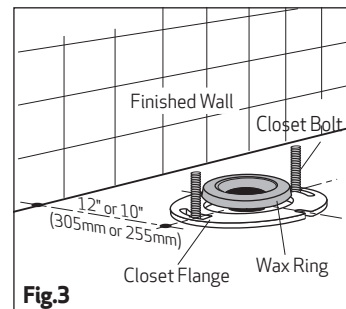
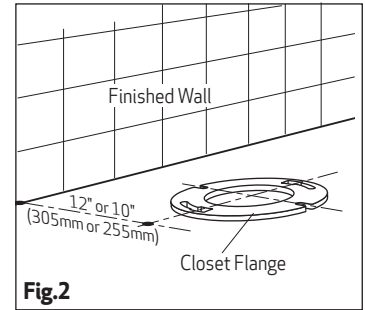
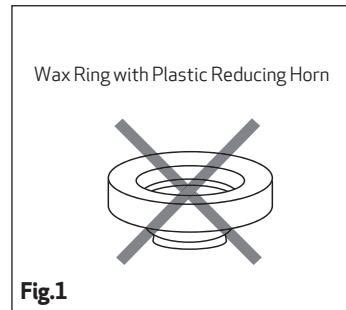
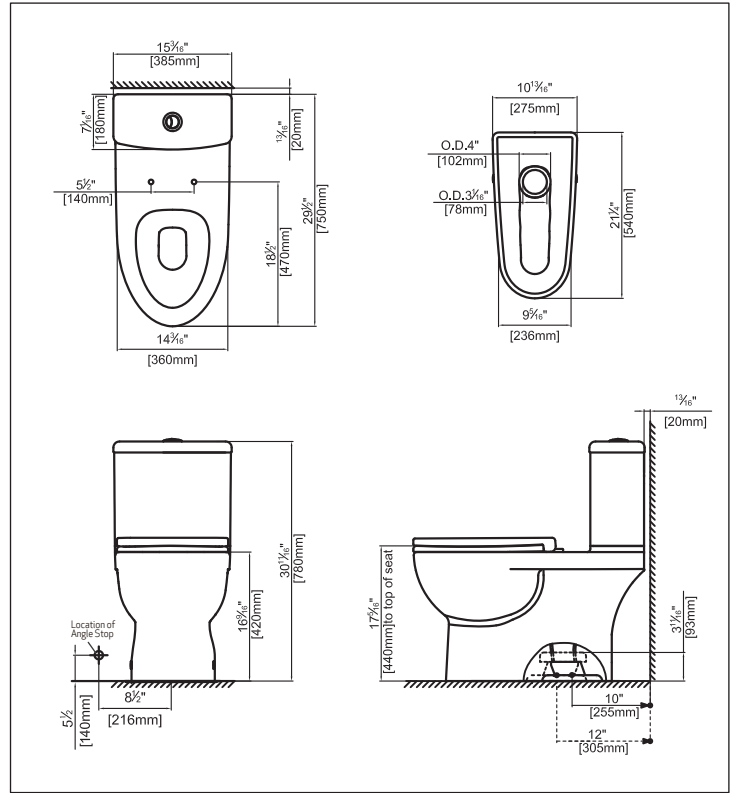
USA & Canada: Recommended working water pressure 20-80psi (140-550Kpa).

Flushing Operation:

Push down firmly the large button for a full flush (1.28 gpf/4.8 lpf) and the small button for a reduced flush (0.8 gpf/3 lpf).

Installation Procedure:

1. It is important for the installation of Caravelle Smart 2 PC washdown bowl that the closet flange be accurately set out from the finished wall as detailed in **Fig.2**.
2. Position wax ring and offset adapter onto closet bolts as detailed in **Fig. 3 and 4**, ensuring that the offset adapter is positioned for 10" (255mm) or 12" (305mm) rough in as shown in **Fig.7** below.
3. Place a fixing bracket (#687088) onto each closet bolt and hand tighten the nuts and washers onto the closet bolts as detailed in **Fig.4**. Apply an additional turn by wrench for final installation.
4. Ensure that the area around the closet bowl is clean and free from building materials.
5. Accurately align the closet bowl over the offset adapter and lower into position.
6. Insert the plastic and brass bushings into the bowl fixing holes as shown in **Fig.5**. Secure the bushings through the holes in fixing bracket with SS screws as shown in **Fig.6**. Cover the holes with caps.
7. It is recommended that a bead of silicone caulking is applied fully around base of the closet bowl, leaving 1-2" at the rear of the bowl.
8. Remove any excess silicone caulking.

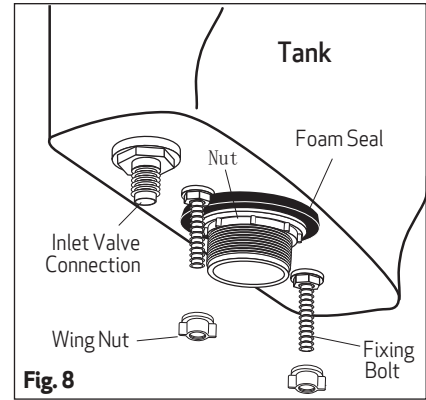


Caravelle Smart Two Piece

1.28/0.8 gpf (4.8/3 lpf) Easy Height & Elongated Dual Flush
Two Piece Washdown Toilet | Bowl #920102W Tank #920100W

Tank Installation Procedure:

1. Determine the type of water supply connection to be used. Braided supply lines can simply be attached to the inlet valve connection. If a 3/8" hard tube/pipe connection is being used, a tapered rubber seal and wing nut assembly is included.
2. Ensure that the enclosed foam seal is fitted onto the tail piece on the underside of the tank as detailed in Fig.8.
3. Lower tank onto closet bowl, allowing the two tank fixing bolts protruding below the tank to fit through the corresponding holes in the bowl.
4. Fit the supplied plastic wing nuts onto the tank fixing bolts that are protruding through the bowl and gradually tighten the left and right wing nuts by hand to evenly secure tank to bowl.
5. Connect the water supply line and turn on the water supply.
6. Install the toilet seat according to the instructions included with the seat.
7. Fit the tank lid onto the top of tank.



All measurements are subject to accepted manufacturing tolerances. The manufacturer reserves the right to change specifications at any time without giving prior notification. The product should be installed by a qualified plumber. Local authority, Water Board, and Building Regulations may apply to the installation of this product, and you should consult the appropriate bodies on these requirements. Failure to comply may invalidate the product warranty.

Tank Spare Parts:

Inlet Valve Replacement Parts

The diagram shows the inlet valve assembly. Two callouts point to specific parts: 'B3300-MA TOP' pointing to the floater top, and 'B3300-MA-REPAIRKIT' pointing to the rubber seal kit.

Code	Part Description
B3300-MA REPAIRKIT	Rubber Seal Kit
B3300-MA TOP	Inlet Valve Floater
B3300-MA	Inlet Valve

Outlet Valve Replacement Parts

The diagram shows the outlet valve assembly. Two callouts point to specific parts: '30795' pointing to the diaphragm seal, and 'B5502' pointing to the top push button.

Code	Part Description
30795	Outlet Valve Diaphragm Seal
B4920-G	Outlet Valve 1.28/0.8 Gal (4.8/3 L)
B5502	Top Push Button

CLEANING INSTRUCTIONS FOR VITREOUS CHINA:

To preserve the glazed surface, this toilet should be cleaned only with a mild household detergent or warm soapy water. Do not use any abrasive cleaners in the tank or bowl as this can damage the glazing. Use of in tank cleaners or bleach tablets may void warranty.

For spare Parts Contact:

Sustainable Solutions

Under license from Caroma Industries Limited, Australia
Manufactured by Sustainable Solutions
Vancouver, BC, Canada + Ferndale, WA, USA
Telephone: (604) 430.2020
Toll Free: (800) 460.7019
help@sustainablesolutions.com
<https://shop.sustainablesolutions.com/>
www.caromausa.com www.sustainablesolutions.com



ULTRA HIGH EFFICIENCY TOILET
UHET

