

Caravelle Smart Back Outlet Two Piece Easy Height Elongated Toilet

920450W + 920101W



Specifications

- Vitreous China Dual Flush High Efficiency Toilet (HET)
- Elongated washdown bowl with box flushing rim.
- Designed to provide a seat height of 17 1/2" (445mm) measured to the top of the toilet seat.
- A 326202W soft close seat is included.
- **Tank:** 920101W (left lever) 920101W-R (right lever)
- **Bowl:** 920450W
- **Bowl weight:** 82.5 lbs (37.5 kg) **Tank weight:** 30.4 lbs (13.8 kg)
- **Color:** White

Outlet:

Wall mounted rear outlet connection. M-147380 Back Outlet Connector is included. Use a proper foam gasket or wax ring (not supplied) that is designed for wall mount outlet connection.

Tank:

The tank is an integral part of the toilet with a free fitting lid and is suitable for domestic and light commercial applications. Push down side lever for full flush (1.28 gpf / 4.8 lpf) and pull up side lever for reduced flush (0.8 gpf / 3 lpf).

Water Control Valve:

Standard Bottom Entry Tank -- available as left hand inlet that incorporates a super quiet water control assembly. Internal overflow only.






Fixing:

The tank is fixed directly to the closet bowl with a robust base fixing system.

Flush Volume:

1.28/0.8 gpf (4.8/3 lpf)

Features:

-  Dual Flush
-  Two Piece
-  Smart Glazed Bowl
-  Soft Closing Seat
-  Back Outlet
-  Fully Skirted Bowl



920450W + 920101W

Technical Drawing & Certifications

All dimensions are in inches and millimeters and are subject to normal manufacturing variations. Caroma pursues a policy of continuing improvement in design and performance of its products. The right is therefore reserved to vary specifications without notice.

Smart Glaze™



Watersense Certified



Uniform Plumbing Code Certified



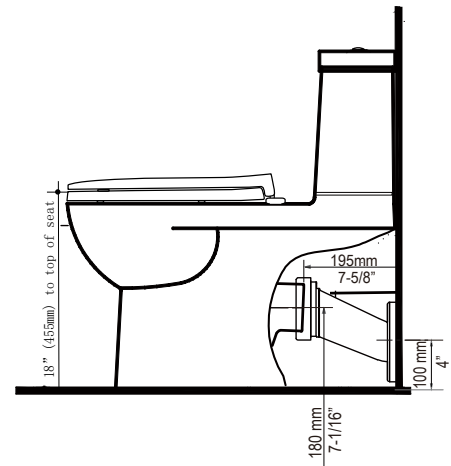
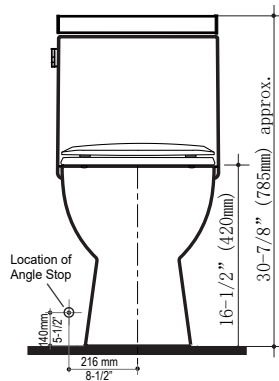
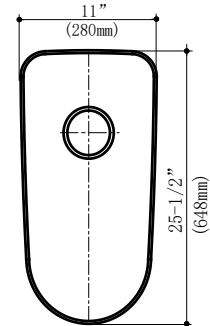
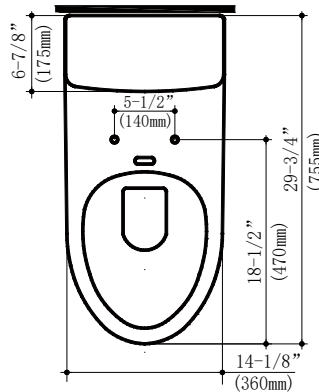
MAP Premium Certified



High Efficiency Toilet



ADA Approved



Warranty:

Two year limited warranty

- ➔ Caroma plumbing products are warranted to be free of defects in material and workmanship for two years after their initial purchase. This limited warranty applies only to the original purchaser and installation of these products. In the event of a limited warranty claim, proof of purchase from an authorized reseller will be required.