

## fluid Round Swivel Dual Spray Kitchen faucet




F826

### Specifications:

- Metal construction for durability and reliability
- Swivel spout with 360 degree rotation
- Dual spray options: aerated or stream; activated by turn of the spout tip
- High quality ceramic cartridge
- Single lever handle operation, allowing both volume and temperature control
- Limited to flow rate of 1.5 gpm (5.7 lpm) at 60 psi
- Maximum deck thickness of 1 3/4" (45 mm) with spacer, or 2 1/2" (63 mm) without spacer
- 1 1/2" (38 mm) single faucet hole size for drilling is recommended
- 8" deck plate for 3-hole installation is available and sold separately



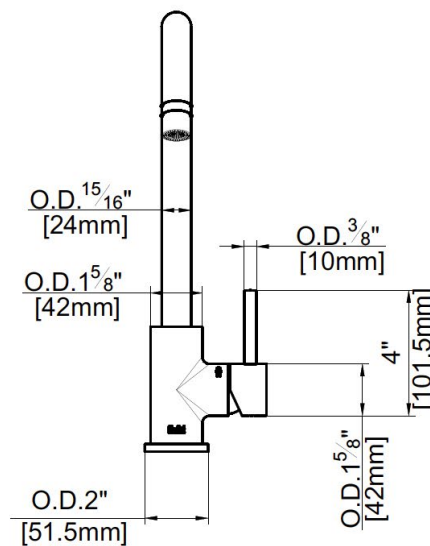
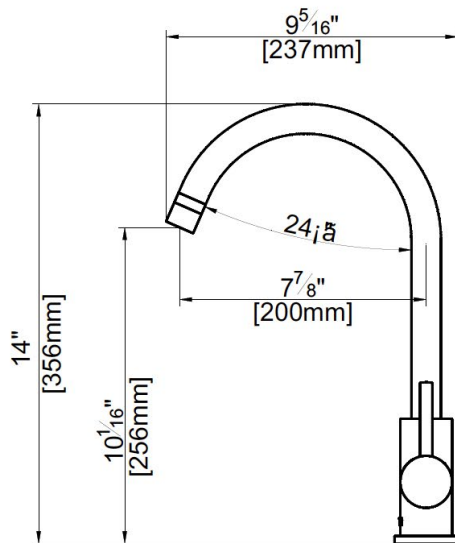
### Features:

-  Precision Ceramic Disc Cartridge
-  Metal Construction
-  Dual Spray Kitchen faucet

Polished Chrome (CP), Stainless Steel (SS), Matte Black (MB)

## Technical Drawing

F826



### Warranty:

Limited Lifetime Faucet Warranty against material and manufacturing defects for residential use.  
2 Year Limited Warranty on all industrial, commercial and business applications.

### Codes & Standards:

ANSI/ASME A112.18.1  
CSA B125.1  
NSF/ANSI/CAN 61: Q < 1  
NSF / ANSI / CAN372  
IAPMO / cUPC Listed  
EPA Watersense Listed  
ADA Compliant

### Flow Rate:

1.5 gpm, (5.7 lpm), @ 60 psig

