

Switch Retro-fit Shower System with 16" Shower Arm

F9316

Specifications:

- Metal construction
- Designed for retrofit replacement of an existing installed shower arm
- Wall mounted shower diverter system with round escutcheons
- Switch between hand shower and shower head via the built in diverter
- Swivel 16" long shower arm with locking function
- Check valve installed for backflow prevention
- Hose elbow connector can go left or right
- For use with fluid shower heads, hand showers and shower hoses, all sold separately
- Can be installed either by drilling into the wall with screws, or by drill-free method, using water proof glue, (screws and glue are both included).
- Rough-in mixing valve and trim is not included, (but can be purchased separately for new installation if desired).

Components:

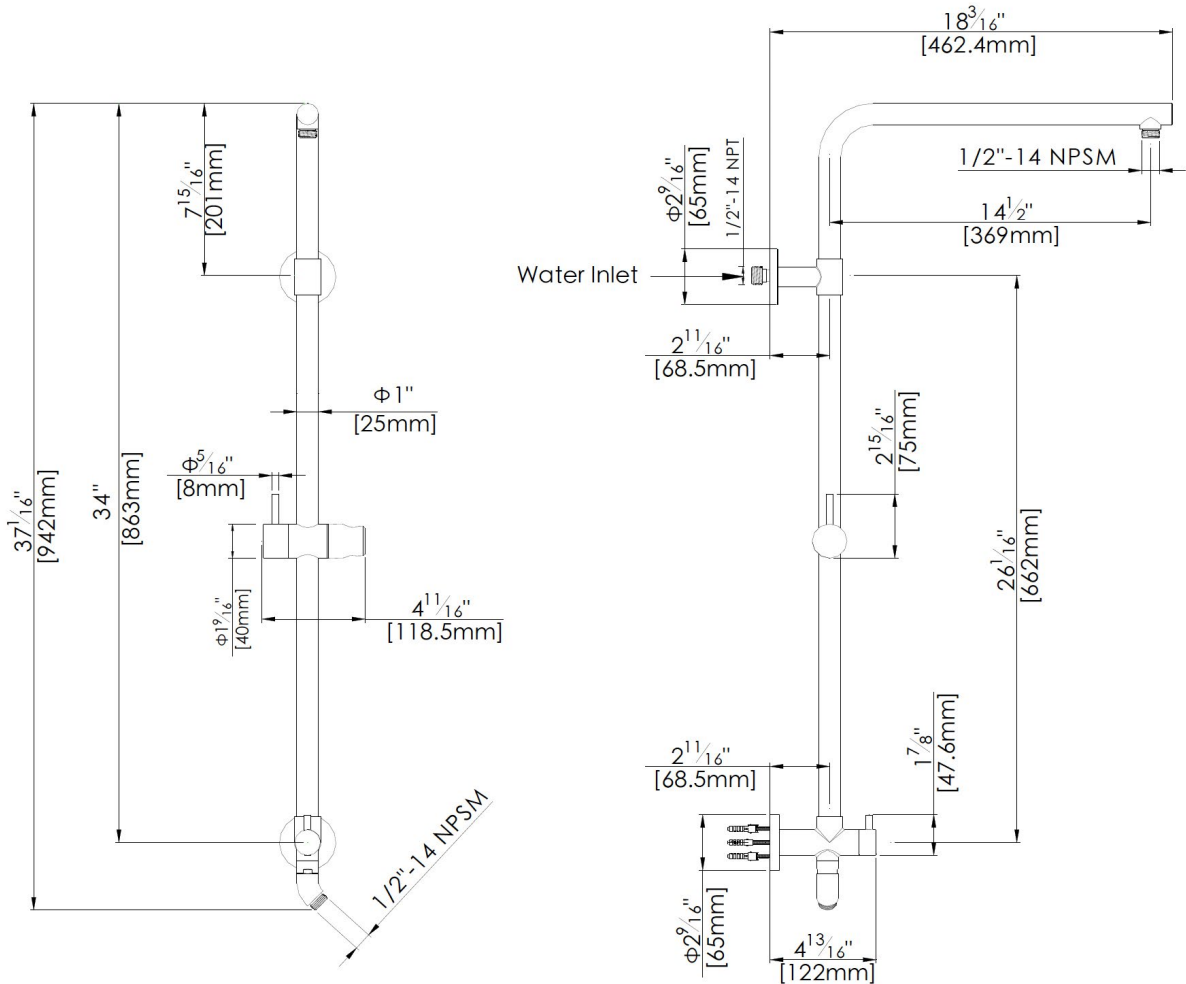
- FP933000.....Main shower Body/ Slidebar
- FP900216 16" Shower Arm



Polished Chrome (CP), Brushed Nickel (BN) and Matte Black (MB)

Technical Drawing

F9316



Warranty:

Limited Lifetime Faucet Warranty against material and manufacturing defects for residential use.
2 Year Limited Warranty on all industrial, commercial and business applications.

Codes and Standards:

ANSI/ASME A112.18.1
CSA B125.1
IAPMO / cUPC Listed

Flow Rate:

Will be determined by the shower components that are chosen.