

Quad 4" Shower Head Only Trim Kit

F161077T

Specifications:


- Metal construction for durability and reliability
- Pressure balancing volume control
- Maximum temperature limit stop for added safety
- Integral stop check valves for easy maintenance
- Valve and trim packages are sold separately
- Requires the fluid F1001B pressure balancing valve, (sold separately and available in solder, PEX and PEX-W.)

Components:

F1001T	Cartridge Sleeve
FP6016041	Quad Handle
FP6001033-1PB	Square Cover Plate
FP6027008	8" Shower Arm
FP10130	4" Square Shower Head



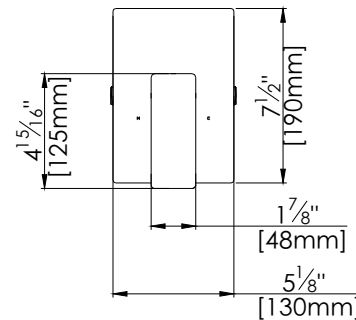
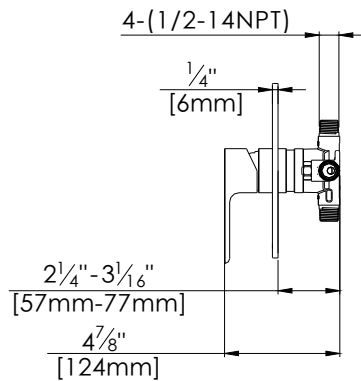
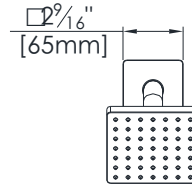
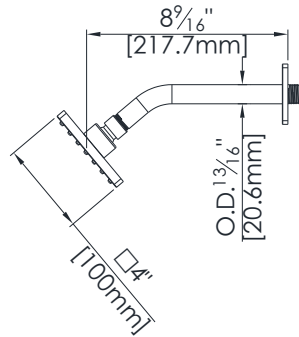
Features:

-  Requires F1001B
-  Bubble Level
-  Integral Stops

Polished Chrome (CP), Brushed Nickel (BN) and Matte Black (MB)

Technical Drawing

F161077T



Warranty:

Limited Lifetime Faucet Warranty against material and manufacturing defects for residential use.
2 Year Limited Warranty on all industrial, commercial and business applications.

Codes and Standards:

ANSI/ASME A112.18.1
CSA B125.1
IAPMO / cUPC Listed
EPA Watersense Listed

Flow Rate:

Shower Head 1.8 gpm @ 60 psig

Low Flow Alternative: Shower Head @ 1.5 gpm: **F161077T-15**

