

Quad 6" Shower Head Trim Kit

F161037TMB

Specifications:


- Metal construction for durability and reliability
- Pressure balancing volume control (non-diverting)
- Max-temperature limit stop for added safety
- Integral stop check valves for easy maintenance
- Valve and trim packages are sold separately
- Requires the fluid F1001B pressure balancing valve, (sold separately and available with shut off in solder, PEX and PEX-W.)

Components:

F1001TMB	Cartridge Sleeve
FP6016041MB	Quad Handle
FP6001033MB -1PB	Square Cover Plate
FP6027008MB	8" Shower Arm
FP6000150MB	6" Square Shower Head



Features:

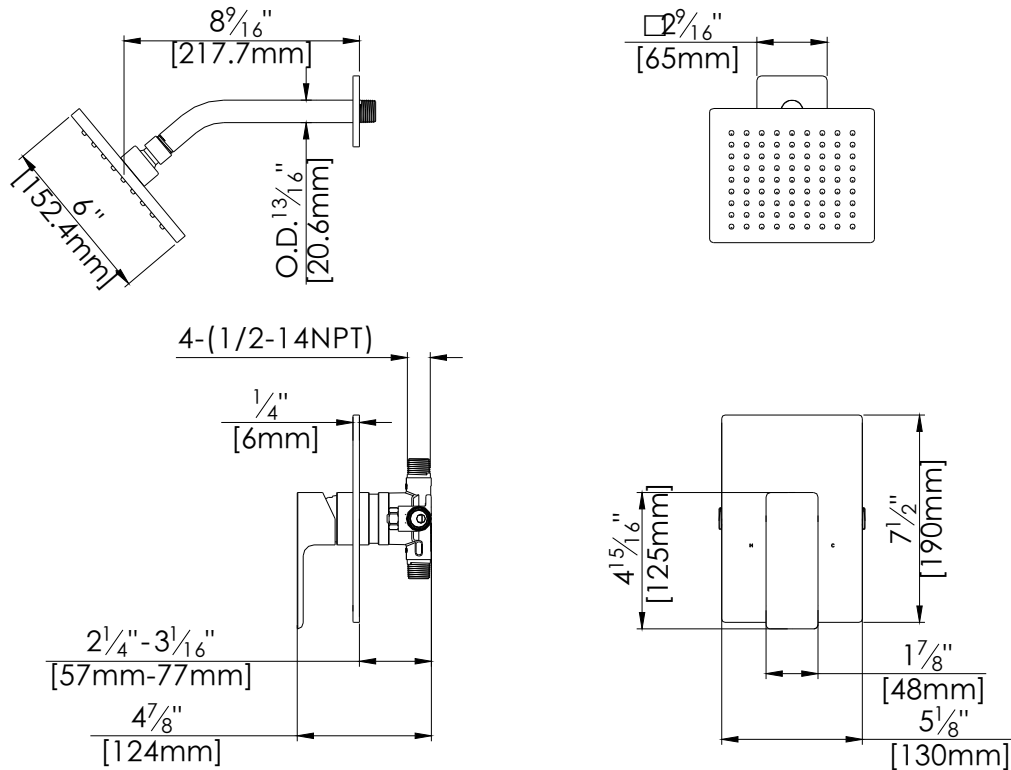
-  Requires F1001B
-  Bubble Level
-  Integral Stops

Available in Matte Black



Technical Drawing

F161037TMB



Warranty:

Limited Lifetime Faucet Warranty against material and manufacturing defects for residential use.

2 Year Limited Warranty on all industrial, commercial and business applications.

Codes and Standards:

ANSI/ASME A112.18.1, CSA B125.1, IAPMO/cUPC Listed, EPA Watersense Listed

Flow Rate:

Shower Head 1.8 gpm @ 60 psig

Low Flow Alternative: Shower Head @ 1.5 gpm: **F161037TMB-15**

