

Citi Tub Spout Trim Kit

F241058TMB

Specifications:


- Metal construction for durability and reliability
- Pressure balancing volume control (non-diverting)
- Max-temperature limit stop for added safety
- Integral stop check valves for easy maintenance
- Valve and trim packages are sold separately
- Requires the fluid F1001B pressure balancing valve, (sold separately and available with shut off in solder, PEX and PEX-W.)

Components:

F1001TMB	Cartridge Sleeve
FP6024041MB	Citi Handle
FP6001035-1PB	Cover Plate
FP6055035MB	Round Tub Spout



Features:

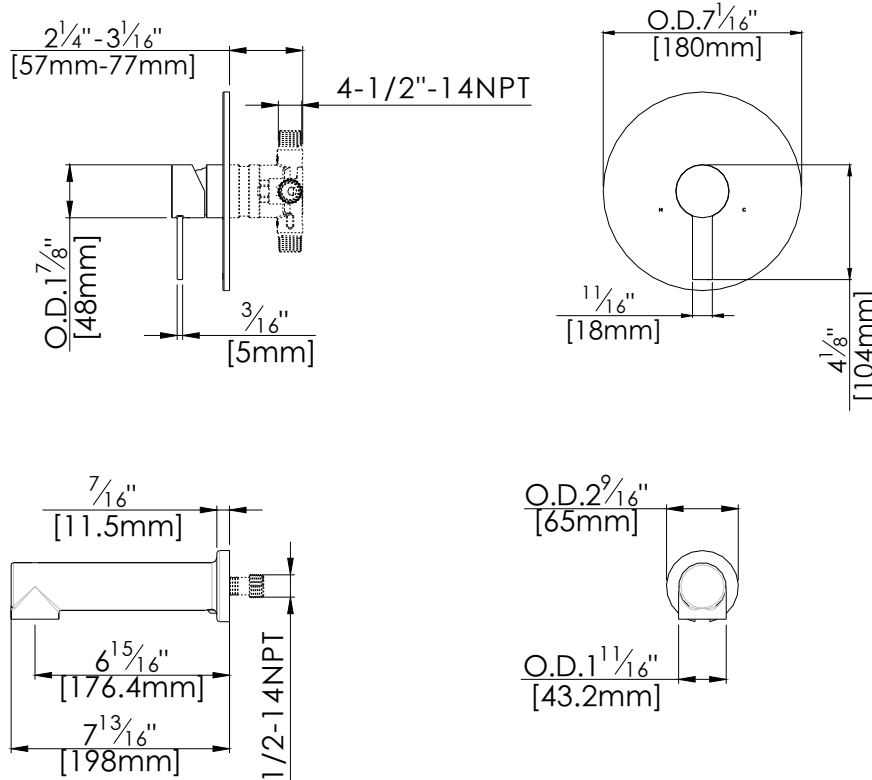
-  Requires F1001B
-  Bubble Level
-  Integral Stops

Available in Matte Black



Technical Drawing

F241058TMB



Warranty:

Limited Lifetime Faucet Warranty against material and manufacturing defects for residential use.

2 Year Limited Warranty on all industrial, commercial and business applications.

Codes and Standards:

ANSI/ASME A112.18.1, CSA B125.1, IAPMO/cUPC Listed, EPA Watersense Listed

Flow Rate:

Tub Spout 4.5 gpm @ 60 psig

