


Specifications

- Heavy brass construction for durability and reliability
- Pressure balancing ceramic cartridge ensures anti-scald operation with lifelong trouble-free service
- Single lever handle operation allows both volume and temperature control
- Max-temperature limit stop for added safety
- Integral stop valves for easy maintenance
- Includes check valves to prevent any crossflow
- Inlet and Outlet ports - 1/2" CxC soldering & 1/2" NPT thread
- Adjustable installation depth from 1 15/16" (50mm) to 2 15/16" (75mm)
- Seal cap is provided for a tub only or shower only installation.
- Mud guard is provided to help protect valve from dust and debris during installation
- Bubble level is attached to mud guard for an easy and level installation
- A wide selection of decorative trims are sold separately
- Deep wall extension kit F-EXTVC-BL is available and sold separately

Codes and Standards

- ANSI/ASME A112.18.1
- CSA B125.1
- IAPMO / cUPC Listed 

Warranty

Limited Lifetime Faucet Warranty against material and manufacturing defects for residential use.

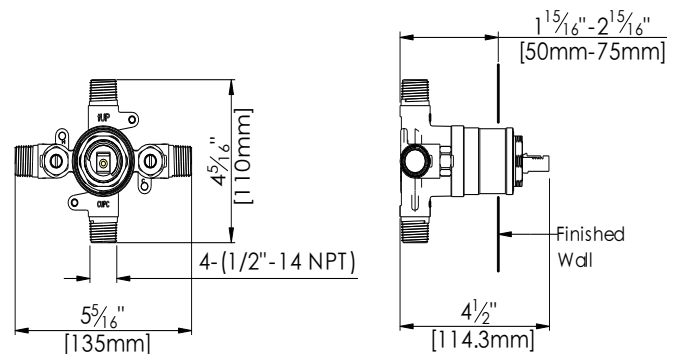
2 Year Limited Warranty on all industrial, commercial and business applications.

Features:

-  Heavy Brass
-  Integral Stops
-  Ceramic Disc Cartridge
-  Bubble Level

Pressure Balancing Single Handle Valve without diverter

F1001B 



Forged from Heavy Brass | Budgetary Pricing: \$\$\$

Models Available:

- **Solder/NPT:** F1001B
- **PEX:** F1001B-PEX
- **PEX-W:** F1001B-PEX-W

Flow Rate:

- 4.5 gpm @ 60 psig