

Wisdom 6" Tub Only Trim Kit

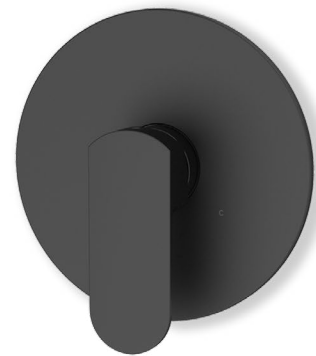
F281084TMB

Specifications:

- Metal construction for durability and reliability
- Pressure balancing volume control (non-diverting)
- Max-temperature limit stop for added safety
- Integral stop check valves for easy maintenance
- Valve and trim packages are sold separately
- Requires the fluid F1001B pressure balancing valve, (sold separately and available with shut off in solder, PEX and PEX-W.)

Components:

| | |
|---------------------|------------------|
| F1001TMB | Cartridge Sleeve |
| FP6028341MB | Wisdom Handle |
| FP6001035-1PB | Cover Plate |
| FP6057034MB | Pipe Tub Spout |



Features:

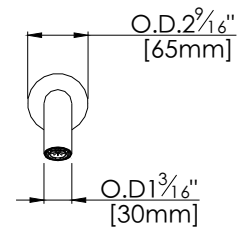
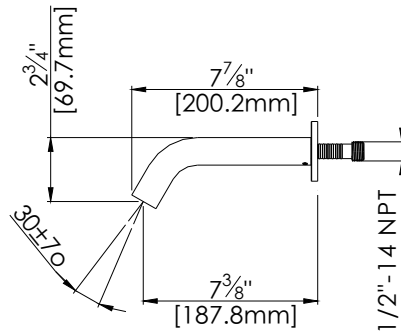
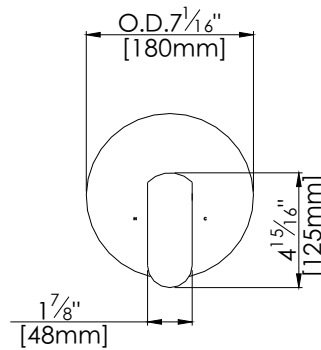
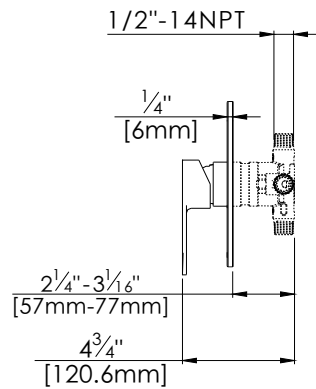
-  Requires F1001B
-  Bubble Level
-  Integral Stops
-  Speed Connect

Available in Matte Black



Technical Drawing

F281084TMB



Warranty:

Limited Lifetime Faucet Warranty against material and manufacturing defects for residential use.

2 Year Limited Warranty on all industrial, commercial and business applications.

Codes and Standards:

ANSI/ASME A112.18.1, CSA B125.1, IAPMO/cUPC Listed, EPA Watersense Listed

Flow Rate:

Tub Spout 4.5 gpm @ 60 psig

