

Citi Tub & 6" Shower Head Trim Kit

F242002TMB

Specifications:

- Metal construction for durability and reliability
- Pressure balancing volume control with 2-way two handle diverting
- Max-temperature limit stop for added safety
- Integral stop check valves for easy maintenance
- Valve and trim packages are sold separately
- Requires the fluid F1012B pressure balancing valve, (sold separately and available with shut off or **sharing in solder, PEX and PEX-W.)

Components:

F1001TMB	Cartridge Sleeve
FP6024041MB	Citi Handle
FP801013MB	Diverter Sleeve
FP605652MB	Diverter Handle
FP6001142MB-2PB	Cover Plate
FP6016008MB	8" Shower Arm
FP6000350MB	6" Shower Head
FP6057034MB	Pipe Tub Spout

**sharing available where allowed by code

Features:

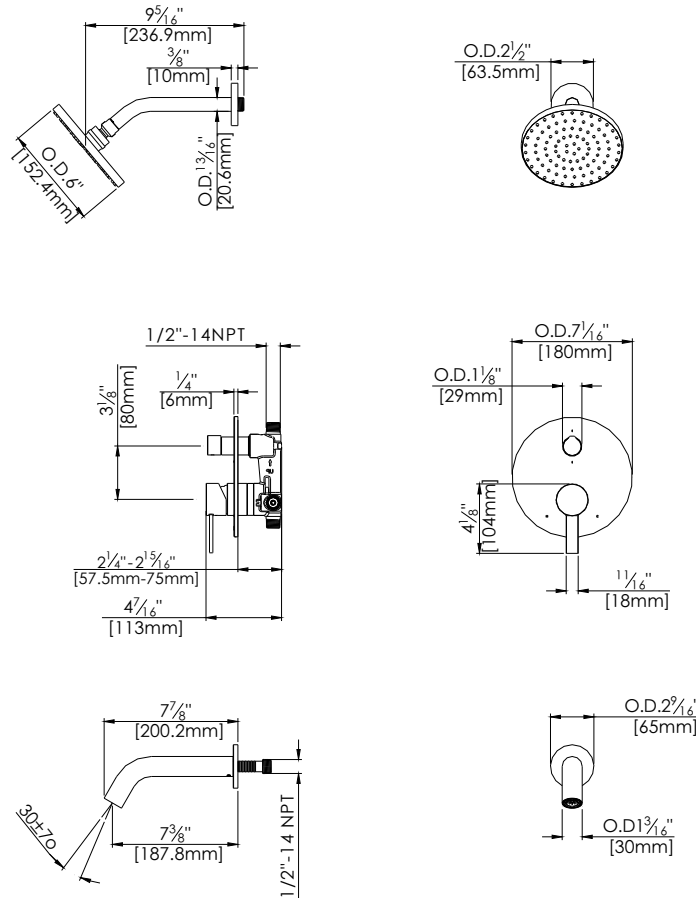
-  Requires F1012B
-  Bubble Level
-  Integral Stops
-  Speed Connect



Available in Matte Black

Technical Drawing

F242002TMB



Codes and Standards: ANSI/ASME A112.18.1, CSA B125.1, IAPMO /cUPC Listed, EPA Watersense Listed

Warranty:

Limited Lifetime Faucet Warranty against material and manufacturing defects for residential use.

2 Year Limited Warranty on all industrial, commercial and business applications.

Kit Variations:



Kit with alternate ADA diverter handle: **F242002TMB-AR**

Flow Rate:

Shower Head 1.8 gpm @ 60 psig
Tub Spout 4.5 gpm @ 60 psig

Low Flow Alternative: Shower Head @ 1.5 gpm: **F242002TMB-15**