

Citi 6" Hand Shower on FA802 Slide Bar Trim Kit

F241019TMB

Specifications:

- Metal construction for durability and reliability
- Pressure balancing volume control (non-diverting)
- Max-temperature limit stop for added safety
- Integral stop check valves for easy maintenance
- Valve and trim packages are sold separately
- Requires the fluid F1001B pressure balancing valve, (sold separately and available with shut off in solder, PEX and PEX-W.)

Components:

F1001TMB	Cartridge Sleeve
FP6024041MB	Citi Handle
FP6001035-1PB	Cover Plate
FA802MB	Slide bar
FP40130MB	3 Function Hand Shower
FP6001007MB	60" Hose

Features:

-  Requires F1001B
-  Bubble Level
-  Integral Stops
-  Speed Connect

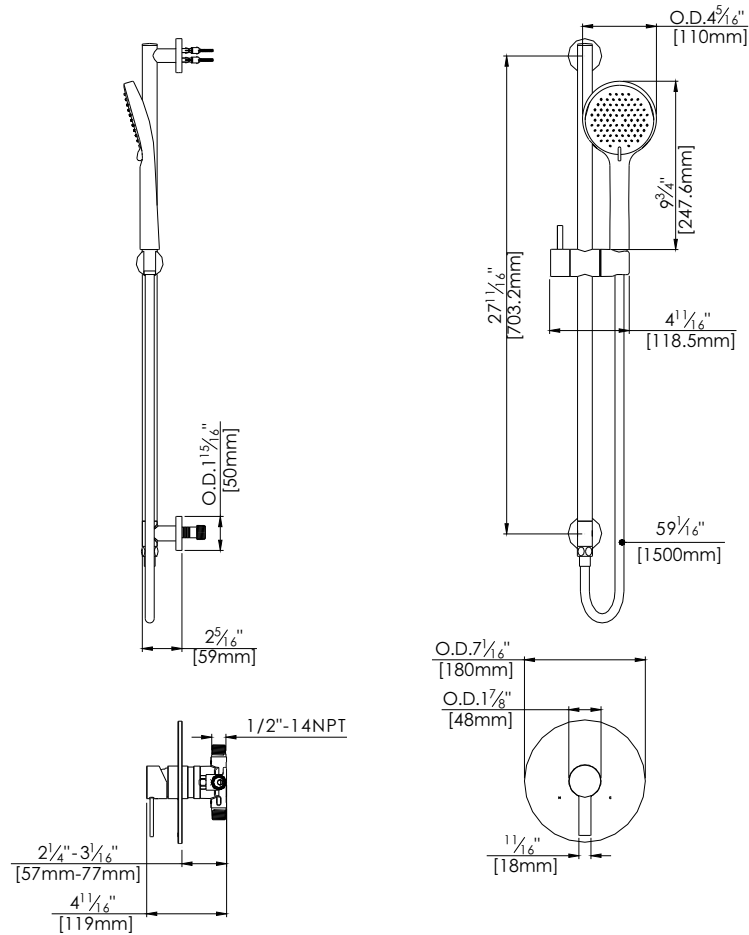


Available in Matte Black



Technical Drawing

F241019TMB



Warranty:

Limited Lifetime Faucet Warranty against material and manufacturing defects for residential use.

2 Year Limited Warranty on all industrial, commercial and business applications.

Codes and Standards:

ANSI/ASME A112.18.1, CSA B125.1, IAPMO/cUPC Listed, EPA Watersense Listed

Flow Rate:

Hand Shower 1.8 gpm @ 60 psig

Low Flow Alternative: Hand Shower @ 1.5 gpm: **F241019TMB-15**