

Wisdom 4" Shower Head & Hand Shower Trim Kit

F284111TMB

Specifications:

- Metal construction for durability and reliability
- 2-way diverting pressure balancing shower system
- Max-temperature limit stop for added safety
- Integral stop check valves for easy maintenance
- Valve and trim packages are sold separately
- Requires the fluid F1002B pressure balancing valve, (sold separately and available with shut off in solder, PEX and PEX-W.)

Components:

| | |
|-----------------------|------------------------|
| F1001TMB | Cartridge Sleeve |
| FP6028341MB | Wisdom Handle |
| FP6001035MB-2PS | Cover Plate |
| FP6016008MB | 8" Shower Arm |
| FP10120MB | 4" Shower Head |
| FA802MB | Slide bar |
| FP40130MB | 3 Function Hand Shower |
| FP6001007MB | 60" Hose |



Features:

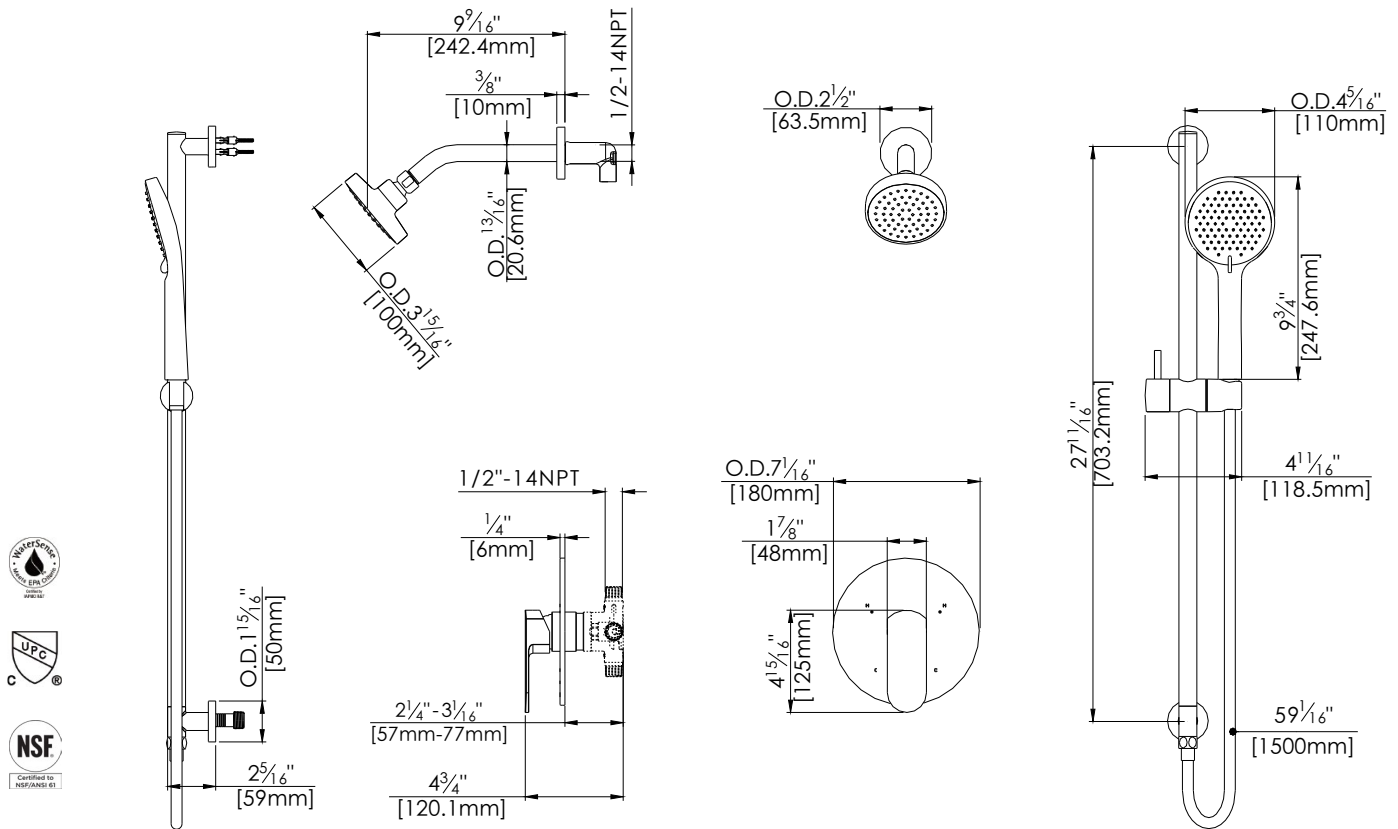
-  Requires F1002B
-  Bubble Level
-  Integral Stops
-  Speed Connect

Available in Matte Black



Technical Drawing

F284111TMB



Warranty:

Limited Lifetime Faucet Warranty against material and manufacturing defects for residential use.

2 Year Limited Warranty on all industrial, commercial and business applications.

Codes and Standards:

ANSI/ASME A112.18.1, CSA B125.1, IAPMO/cUPC Listed, EPA Watersense Listed

Flow Rate:

Shower Head 1.8 gpm @ 60 psig
Hand shower 1.8 gpm @ 60 psig

Low Flow Alternative: Shower Head & Hand Shower @ 1.5 gpm:

F284111TMB-15