

Wisdom Switch 4" Shower Head & Hand Shower Trim Kit

F281209TMB

Specifications:

- Metal construction for durability and reliability
- Pressure balancing volume control (non-diverting)
- Max-temperature limit stop for added safety
- Integral stop check valves for easy maintenance
- Valve and trim packages are sold separately
- Requires the fluid F1001B pressure balancing valve, (sold separately and available with shut off in solder, PEX and PEX-W.)

Components:

F1001TMB	Cartridge Sleeve
FP6028341MB	Wisdom Handle
FP6001035-1PB	Cover Plate
FP933000MB	Switch Slide Bar
FP900208MB	8" Switch Shower Arm
FP10120MB	4" Shower Head
FP40130MB	3 Function Hand Shower
FP6001007MB	60" Shower Hose



Features:

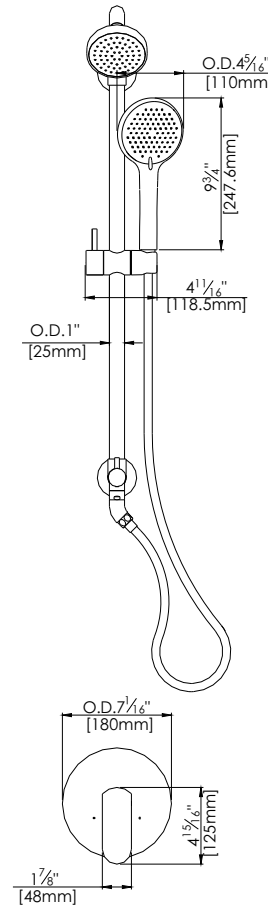
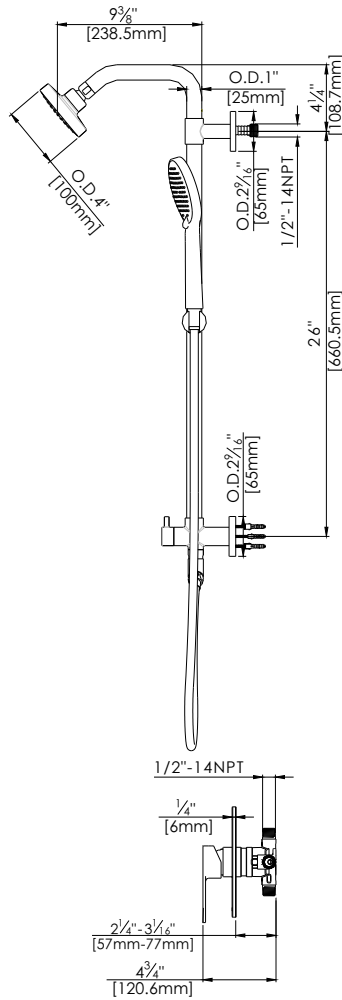
-  Requires F1001B
-  Bubble Level
-  Integral Stops
-  Speed Connect Slide Bar

Available in Matte Black



Technical Drawing

F281209TMB



Warranty:

Limited Lifetime Faucet Warranty against material and manufacturing defects for residential use.

2 Year Limited Warranty on all industrial, commercial and business applications.

Codes and Standards:

ANSI/ASME A112.18.1, CSA B125.1, IAPMO/cUPC Listed, EPA Watersense Listed

Flow Rate:

Shower Head 1.8 gpm @ 60 psig
Hand Shower 1.8 gpm @ 60 psig

Low Flow Alternative: Hand Shower & Shower Head @ 1.5 gpm:

F281209TMB-15