

Citi Tub & 6" Shower Head Trim Kit

F244102TMB

Specifications:

- Metal construction for durability and reliability
- Pressure balancing single handle 2-way Diverting
- Max-temperature limit stop for added safety
- Integral stop check valves for easy maintenance
- Valve and trim packages are sold separately
- Requires the fluid F1002B pressure balancing valve, (sold separately and available with shut off in solder, PEX and PEX-W.)

Components:

F1001TMB	Cartridge Sleeve
FP6024041MB	Citi Handle
FP6001035MB-2PS	Cover Plate
FP6016008MB	8" Shower Arm
FP6000350MB	6" Shower Head
FP6055035MB	Round Tub Spout



Features:

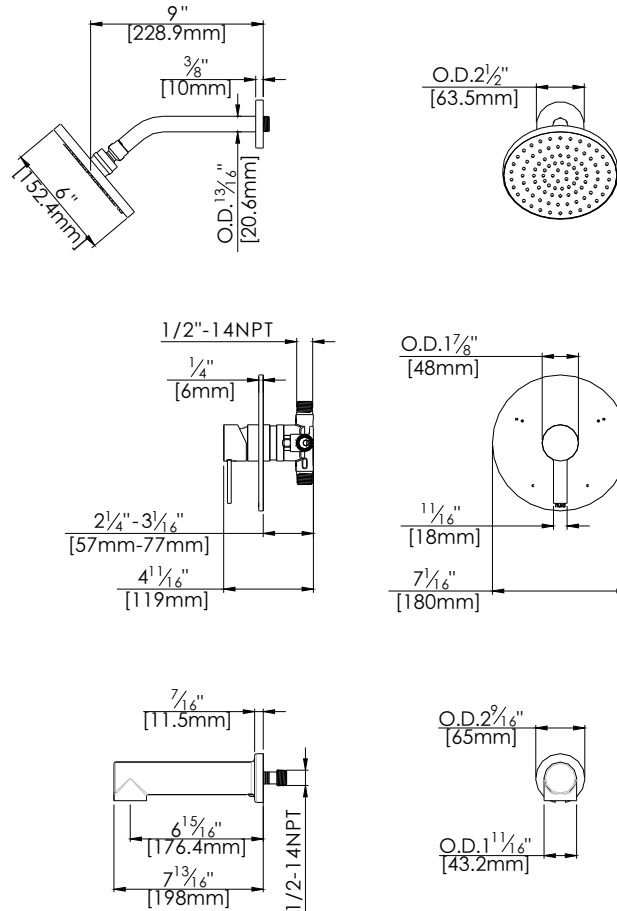
-  Requires F1002B
-  Bubble Level
-  Integral Stops
-  Slip Fit Tub Spout

Available in Matte Black



Technical Drawing

F244102TMB



Warranty:

Limited Lifetime Faucet Warranty against material and manufacturing defects for residential use.

2 Year Limited Warranty on all industrial, commercial and business applications.

Codes and Standards:

ANSI/ASME A112.18.1, CSA B125.1, IAPMO / cUPC Listed, EPA Watersense Listed

Flow Rate:

Shower Head 1.8 gpm @ 60 psig
Tub spout 4.5 gpm @ 60 psig

Low Flow Alternative: Shower Head @ 1.5 gpm: **F244102TMB-15**