

Free Standing Tub Filler with Hand Shower

F4013

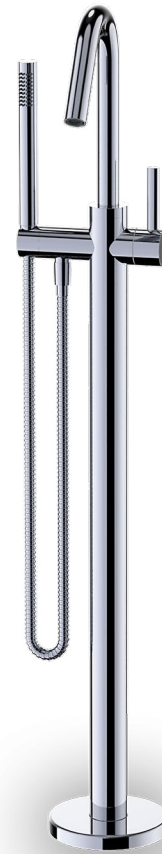
Specifications:

- Heavy brass construction for durability and reliability
- European made Kerox ceramic cartridge ensures life long trouble free service
- Single lever handle operation allows both volume and temperature control
- Single lever handle diverts water to spout or to the hand shower
- Inlet connection 1/2" NPT female thread
- Quick and easy floor mount installation
- Fixed tub spout and adjustable hand shower support
- floor mounted base (valve) is included
- ADA compliant





F4013-Base

Floor mounted rough-in valve included. 1/2" inlet female NPT. Test plugs are provided.



Features:

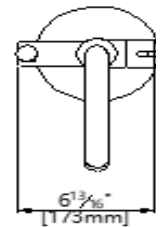
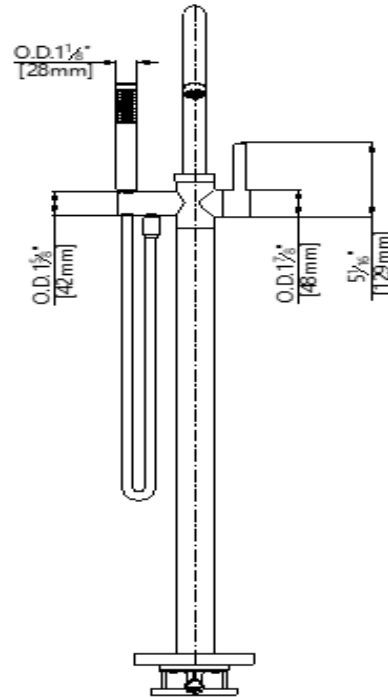
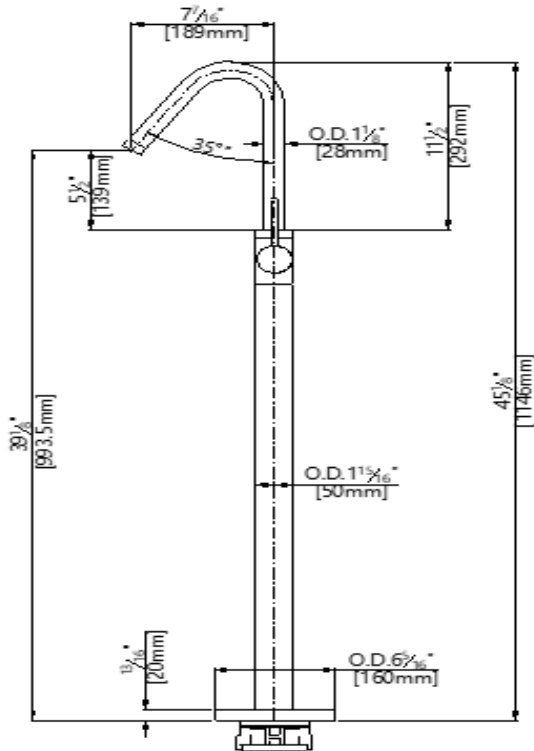
-  Precision Ceramic Disc Cartridge
-  Heavy Brass Construction

Polished Chrome (CP), Brushed Nickel (BN), Matte Black (MB)*

*Note: The hand shower and shower hose featured in MB finish are crafted from different materials than those in chrome and brushed nickel models.

Technical Drawing

F4013



Warranty:

Limited Lifetime Faucet Warranty against material and manufacturing defects for residential use.

2 Year Limited Warranty on all industrial, commercial and business applications.

Codes & Standards:

ANSI/ASME A112.18.1
CSA B125.1
NSF61-9
ADA
IAPMO / cUPC Listed
EPA Watersense Listed
AB1953 California Lead Plumbing Law Certified

Flow Rate:

Tube Spout: 5.3 gpm, (20 lpm) @ 45 psig or 6.8 gpm, (26 lpm) @ 60 psig

Hand Shower: 1.8 gpm, (6.8 lpm) @ 45 psig