

Jovian Tub Spout and Hand Shower on FA802 Trim Kit

F212244T

Specifications:

- ➔ Metal construction for durability and reliability
- ➔ Pressure balancing volume control with 2-way two handle diverting
- ➔ Max-temperature limit stop for added safety
- ➔ Integral stop check valves for easy maintenance
- ➔ Valve and trim packages are sold separately
- ➔ Requires the fluid F1012B pressure balancing valve, (sold separately and available with shut off in solder, PEX and PEX-W.)

Components:

F1001T	Cartridge Sleeve
FP6021041	Jovian Handle
FP801013	Diverter Sleeve
FP605752	Diverter Handle
FP6001143-2PB	Cover Plate
FP40120	Hand Shower
FA803	Slide Bar
FP6001006	60" Shower Hose
FP6016034	Quad-Jovian Tub Spout



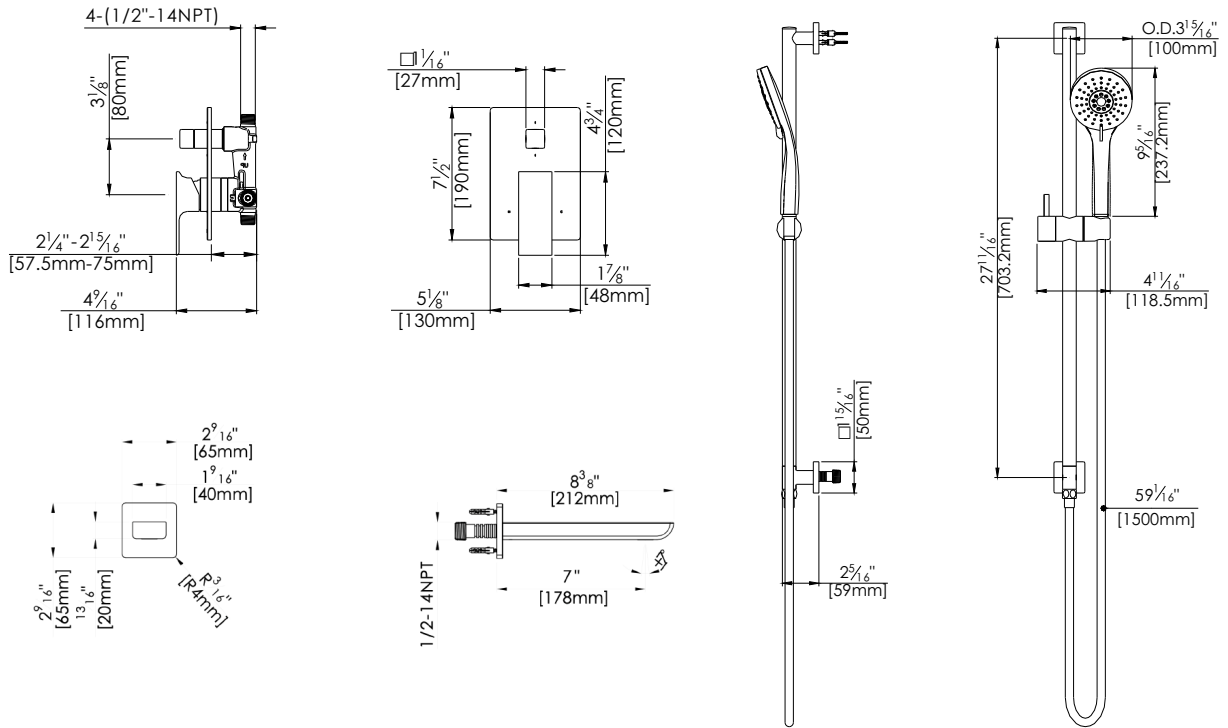
Features:

-  Requires F1012B
-  Bubble Level
-  Integral Stops
-  Speed Connect

Available in Polished Chrome (CP) and Brushed Nickel (BN)

Technical Drawing

F212244T



Codes and Standards: ANSI/ASME A112.18.1, CSA B125.1, IAPMO /cUPC Listed, EPA Watersense Listed

Warranty:

Limited Lifetime Faucet Warranty against material and manufacturing defects for residential use.

2 Year Limited Warranty on all industrial, commercial and business applications.

Kit Variations:



Kit with alternate ADA diverter handle: **F212244T-AS**

Flow Rate:

Tub Spout 4.5 gpm @ 60 psig
Hand Shower 1.8 gpm @ 60 psig

Low Flow Alternative: Hand Shower @ 1.5 gpm: **F212244T-15**