

Jovian Square Tub Spout Only Trim Kit

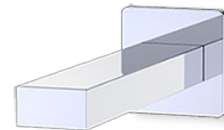
F211251T

Specifications:

- Metal construction for durability and reliability
- Non-Diverting pressure balancing volume control
- Max-temperature limit stop for added safety
- Integral stop check valves for easy maintenance
- Valve and trim packages are sold separately
- Requires the fluid F1001B pressure balancing valve, (sold separately and available with shut off in solder, PEX and PEX-W.)

Components:

F1001T	Cartridge Sleeve
FP6021041	Jovian Handle
FP6001033-1PB	Cover Plate
FP6056034	Cubed Tub Spout



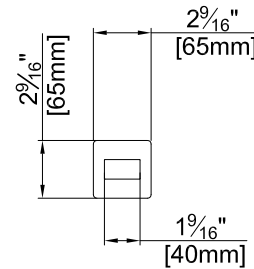
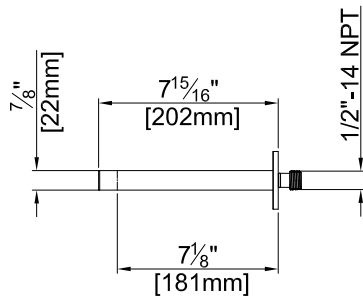
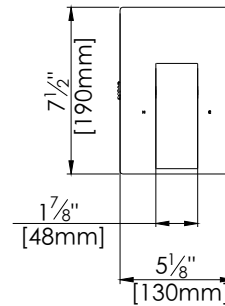
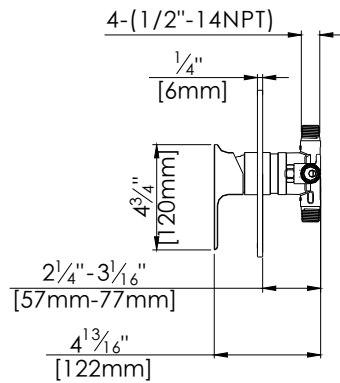
Features:

-  Requires F1001B
-  Bubble Level
-  Integral Stops
-  Speed Connect

Available in Polished Chrome (CP) and Brushed Nickel (BN)

Technical Drawing

F211251T



Warranty:

Limited Lifetime Faucet Warranty against material and manufacturing defects for residential use.

2 Year Limited Warranty on all industrial, commercial and business applications.

Codes and Standards:

ANSI/ASME A112.18.1, CSA B125.1, IAPMO/cUPC Listed, EPA Watersense Listed

Flow Rate:

Tub Spout 4.5 gpm @ 60 psig