

Yaletown Tub Only Trim Kit

F191252T

Specifications:

- Metal construction for durability and reliability
- Pressure balancing with volume control
- Max-temperature limit stop for added safety
- Integral stop check valves for easy maintenance
- Valve and trim packages are sold separately
- Requires the fluid F1001B pressure balancing valve, (available in solder, PEX and PEX-W.)

Components:

F1001T	Cartridge Sleeve
FP6019041	Yaletown Handle
FP6001035-1PB	Cover Plate
FP6057034	Pipe Tub Spout



Features:

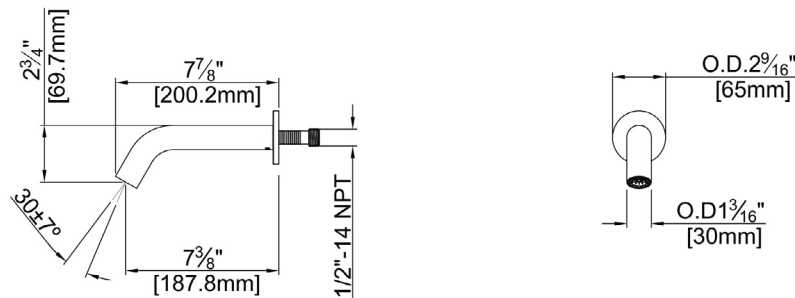
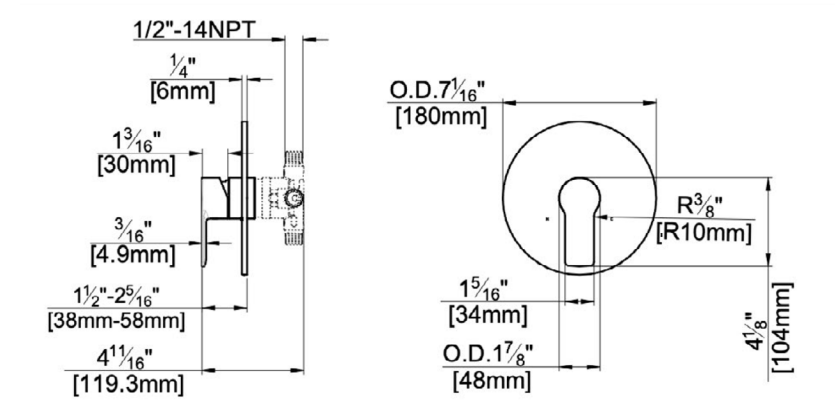
-  Requires F1001B
-  Bubble Level
-  Integral Stops
-  Speed Connect

Polished Chrome (CP), Brushed Nickel (BN) and Matte Black (MB)



Technical Drawing

F191252T



Warranty:

Limited Lifetime Faucet Warranty against material and manufacturing defects for residential use.

2 Year Limited Warranty on all industrial, commercial and business applications.

Codes and Standards:

ANSI/ASME A112.18.1

CSA B125.1

IAPMO / cUPC Listed

Flow Rate:

Tub Spout 4.5 gpm @ 60 psig