

Utopia Tub Spout Only Trim Kit

F181225T

Specifications:

- Metal construction for durability and reliability
- Pressure balancing with volume control
- Maximum temperature limit stop for added safety
- Integral stop check valves for easy maintenance
- Valve and trim packages are sold separately
- Requires the fluid F1001B pressure balancing valve, (available in solder, PEX and PEX-W.)

Components:

F1001T	Cartridge Sleeve
FP601841	Utopia Handle
FP6001033-1PB	Cover Plate
FP6031034	Utopia Tub Spout



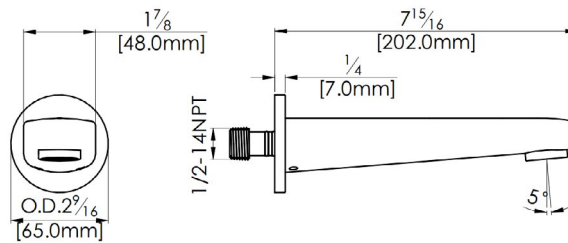
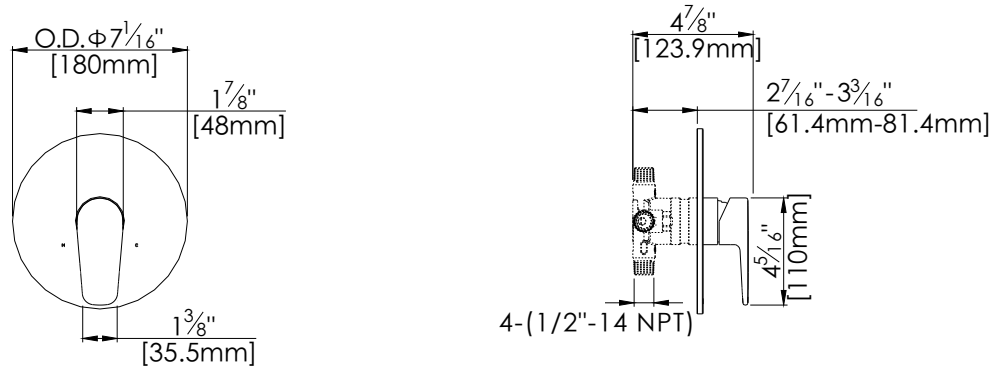
Features:

-  Requires F1001B
-  Bubble Level
-  Integral Stops
-  Speed Connect

Available in Polished Chrome (CP) and Brushed Nickel (BN)

Technical Drawing

F181225T



Warranty:

Limited Lifetime Faucet Warranty against material and manufacturing defects for residential use.
2 Year Limited Warranty on all industrial, commercial and business applications.

Codes and Standards:

ANSI/ASME A112.18.1
CSA B125.1
IAPMO / cUPC Listed

Flow Rate:

Tap Spout 4.5 gpm @ 60 psig