

## Quad Square Tub, 6" Shower Head & Hand Shower Trim Kit

F163247T

### Specifications:

- ➔ Metal construction for durability and reliability
- ➔ Pressure balancing volume control with 3-way two handle diverting
- ➔ Max-temperature limit stop for added safety
- ➔ Integral stop check valves for easy maintenance
- ➔ Valve and trim packages are sold separately
- ➔ Requires the fluid F1003B pressure balancing valve, (sold separately and available with shut off or \*\*sharing in solder, PEX and PEX-W.)

### Components:

F1001T .....	Cartridge Sleeve
FP6016041 .....	Quad Handle
FP801013 .....	Diverter Sleeve
FP605752 .....	Diverter Handle
FP6001143-3PB .....	Cover Plate
FP6027008 .....	8" Shower Arm
FP6000150 .....	6" Shower Head
FP6004048 .....	Square Hand Shower
FA104 .....	Slide Bar
FP6001047 .....	Wall Outlet
FP6001006 .....	60" Shower Hose
FP6056034 .....	Cubed Tub Spout

\*\*sharing available where allowed by code

### Features:

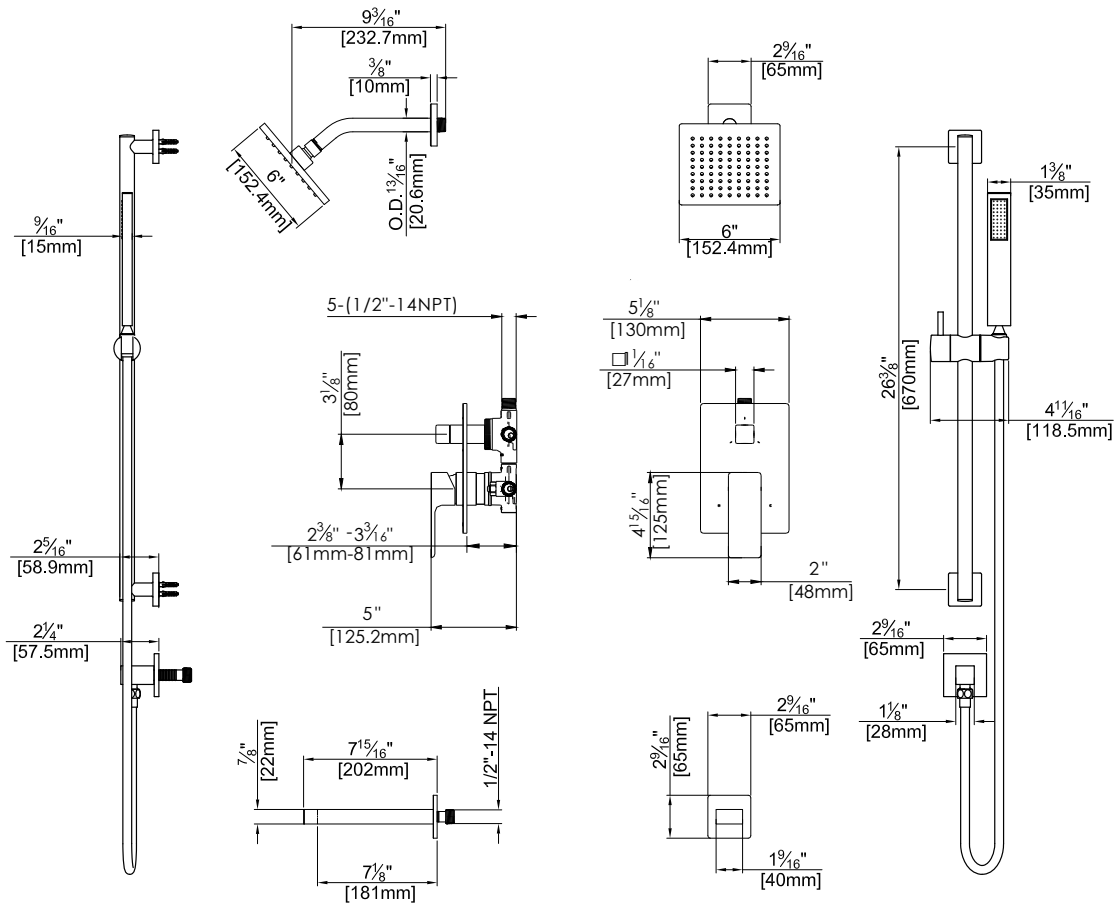
-  Requires F1003B
-  Bubble Level
-  Integral Stops
-  Speed Connect



Available in Polished Chrome (CP) and Brushed Nickel (BN)

## Technical Drawing

F163247T



**Codes and Standards:** ANSI/ASME A112.18.1, CSA B125.1, IAPMO /cUPC Listed, EPA Watersense Listed

### Warranty:

Limited Lifetime Faucet Warranty against material and manufacturing defects for residential use.

2 Year Limited Warranty on all industrial, commercial and business applications.

### Kit Variations:



Kit with alternate ADA diverter handle: **F163247T-AS**

### Flow Rate:

Shower Head 1.8 gpm @ 60 psig

Hand Shower 1.8 gpm @ 60 psig

Tub Spout 4.5 gpm @ 60 psig

Low Flow Alternative: Shower Head & Hand Shower @ 1.5 gpm: **F163247T-15**