

Quad Switch 8" Rain Shower Head & Hand Shower Trim Kit

F161015T

Specifications:

- Metal construction
- Pressure balancing with volume control
- Maximum temperature limit stop for added safety
- Integral stop check valves for easy maintenance
- Valve and trim packages are sold separately
- Requires the fluid F1001B pressure balancing valve, (sold separately and available in solder, PEX and PEX-W.)

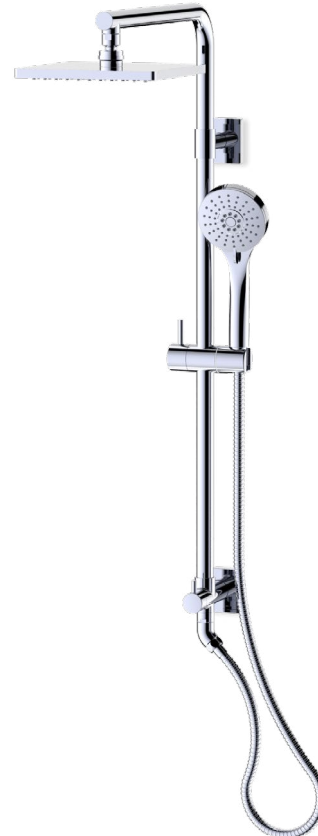
Components:

F1001T	Sleeve tube and cap
FP6016041	Quad Handle
FP6001033-1PB	Square Cover Plate
FP900216	16" Switch Shower Arm
FP6001150	8" Rain Shower Head
FP40120	3 Function Round Hand Shower*
FP933001	Switch Slide Bar
FP6001006	60" Shower Hose*

* Matte Black kits feature the FP6001007MB Shower Hose & FP40130MB 3-Function Hand Shower

Features:

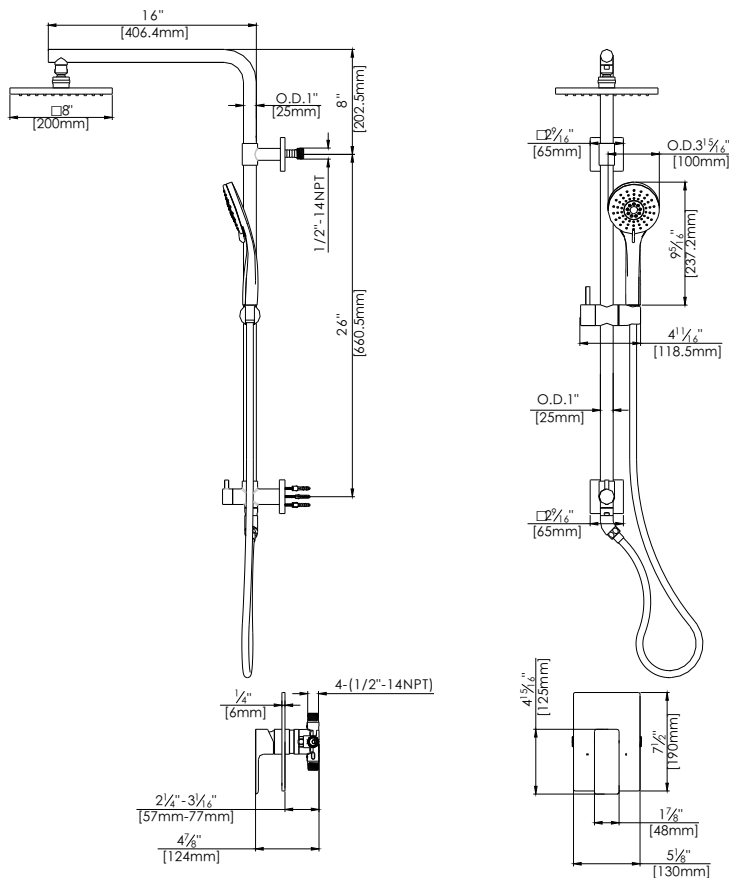
-  Requires F1001B
-  Bubble Level
-  Integral Stops
-  Speed Connect



Polished Chrome (CP), Brushed Nickel (BN) and Matte Black (MB)

Technical Drawing

F161015T



Warranty:

Limited Lifetime Faucet Warranty against material and manufacturing defects for residential use.
2 Year Limited Warranty on all industrial, commercial and business applications.

Codes and Standards:

ANSI/ASME A112.18.1
CSA B125.1
IAPMO / cUPC Listed

Flow Rate:

Shower Head 1.8 gpm @ 60 psig
Hand Shower 1.8 gpm @ 60 psig

Low Flow Alternative: Hand Shower @ 1.5 gpm: **F161015T-15**

