

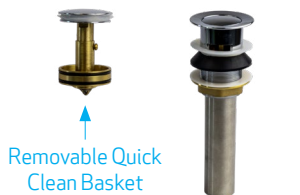
Quad Dual Handle Bathroom faucet with Quick Clean Pop-Up

F16006



Specifications:





- Heavy brass construction for durability and reliability
- German made Fluhs ceramic cartridge ensures lifelong trouble free service
- Dual handle operation allows both volume and temperature control
- Flow restricted to 1.2 gpm, (4.6 lpm) at 60 psi
- fluid Eco-Care swivel aerator prevents splash back by allowing adjustment to the direction of water flow
- Stainless steel flexible connections for 6" to 8" wide installation
- Dual supply inlet connections $\frac{3}{8}$ " comp. & $\frac{1}{2}$ " thread
- 1 $\frac{1}{4}$ " or 1 $\frac{1}{2}$ " faucet hole size for drilling is recommended
- Includes the fluid Quick Clean waste pop-up drain, with removable basket
- ADA Compliant



FA726

Quick Clean Pop-Up
with Overflow

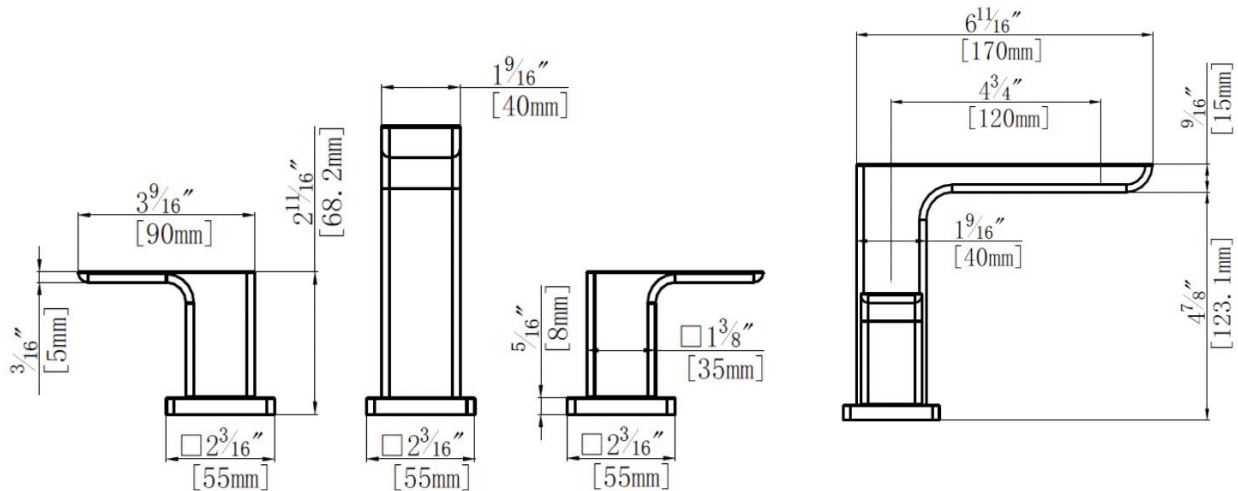
Features:

-  Removable Quick Clean Basket
-  Precision Ceramic Disc Cartridge
-  Brass Construction
-  Swivel Aerator to direct water stream

Polished Chrome (CP), Brushed Nickel (BN), Matte Black (MB)

Technical Drawing

F16006



Warranty:

Limited Lifetime Faucet Warranty against material and manufacturing defects for residential use.

2 Year Limited Warranty on all industrial, commercial and business applications.

Codes & Standards:

ANSI/ASME A112.18.1

CSA B125.1

NSF/ANSI/CAN 61: Q < 1

NSF / ANSI / CAN372

IAPMO / cUPC Listed

EPA Watersense Listed

ADA Compliant

Flow Rate:

1.2 gpm (4.6 lpm) at 60 psi

Low Flow Alternative:

@1.0 gpm (3.6 lpm) **F16006-10**

@0.5 gpm (1.9 lpm): **F16006-05**

Note: the .5 gpm low flow alternative does not come with a swivel aerator.

