

## Citi Tub, 8" Ceiling Rain Shower & 3 Function Hand Shower Trim Kit

F243009T

### Specifications:

- ➔ Metal construction for durability and reliability
- ➔ Pressure balancing volume control with 3-way two handle diverting
- ➔ Max-temperature limit stop for added safety
- ➔ Integral stop check valves for easy maintenance
- ➔ Valve and trim packages are sold separately
- ➔ Requires the fluid F1003B pressure balancing valve, (sold separately and available with shut off or \*\*sharing in solder, PEX and PEX-W.)

### Components:

F1001T .....	Cartridge Sleeve
FP6024041 .....	Citi Handle
FP801013 .....	Diverter Sleeve
FP605752 .....	Diverter Handle
FP6001143-3PB .....	Round Cover Plate
FP6018008 .....	6" Ceiling Shower Arm
FP6002150 .....	8" Shower Head
FP40120 .....	3 Function Hand Shower
FA802 .....	Slide Bar With Integral Outlet
FP6001006 .....	60" Shower Hose
FP6057034 .....	8" Pipe Tub Spout

\*\*sharing available where allowed by code

Kit with Alternate Handle: **F243009T-AR**



### Features:

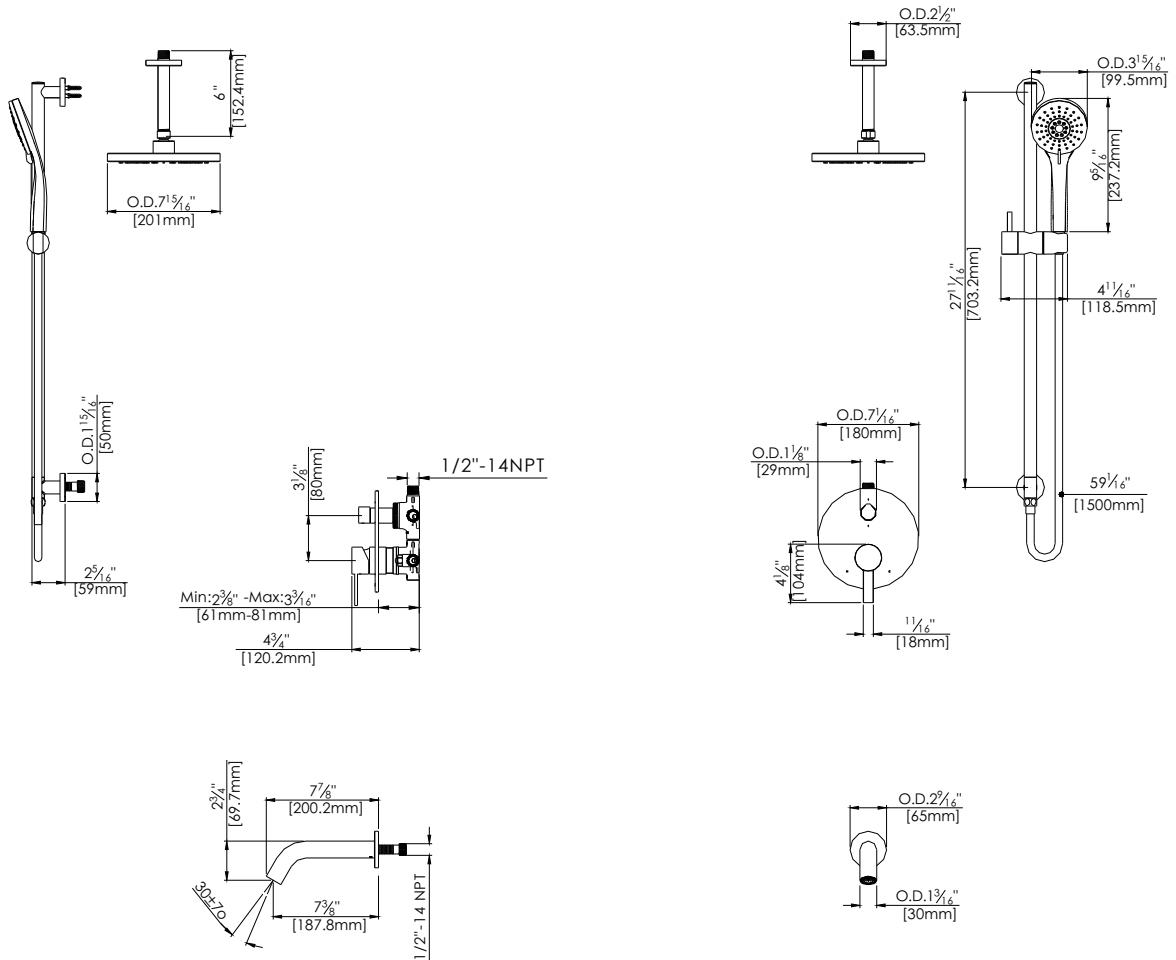
-  Requires F1003B
-  Bubble Level
-  Integral Stops
-  Speed Connect

Available in Polished Chrome (CP) and Brushed Nickel (BN)



## Technical Drawing

## F243009T



**Codes and Standards:** ANSI/ASME A112.18.1, CSA B125.1, IAPMO / cUPC Listed, EPA Watersense Listed

### Warranty:

Limited Lifetime Faucet Warranty against material and manufacturing defects for residential use.

2 Year Limited Warranty on all industrial, commercial and business applications.

### Kit Variations:

Kit with ADA diverter handle: **F243009T-AR**

Kit with square style cover plate & diverter handle: **F243009T-S**

### Flow Rate:

Shower Head 1.8 gpm @ 60 psig

Hand Shower 1.8 gpm @ 60 psig

Spout 4.5 gpm @ 60 psig

Low Flow Alternative: Hand Shower @ 1.5 gpm: **F243009T-15**