

Citi Shower Head & Hand Shower Trim Kit with FA105 Slide Bar

F242007T

Specifications:

- ➔ Metal construction for durability and reliability
- ➔ Pressure balancing volume control with 2-way two handle diverting
- ➔ Maximum temperature limit stop for added safety
- ➔ Integral stop check valves for easy maintenance
- ➔ Valve and trim packages are sold separately
- ➔ Requires the fluid F1012B pressure balancing valve, (sold separately and available with shut off or **sharing in solder, PEX and PEX-W.)

Components:

F1001T	Cartridge Sleeve
FP6024041	Citi Handle
FP80101	Diverter Sleeve
FP605652	Diverter Handle
FP6001142-2PB	Cover Plate
FP6016008	8" Shower Arm
FP6000350	6" Shower Head
FP40120	3 Function Hand Shower
FA105	Brass Slide Bar
FP6002047	Wall Outlet
FP6001006	60" Shower Hose

**sharing available where allowed by code

Kit with Alternate Handle: **F242017T-AR**



Features:

-  Requires F1012B
-  Bubble Level
-  Integral Stops
-  Speed Connect

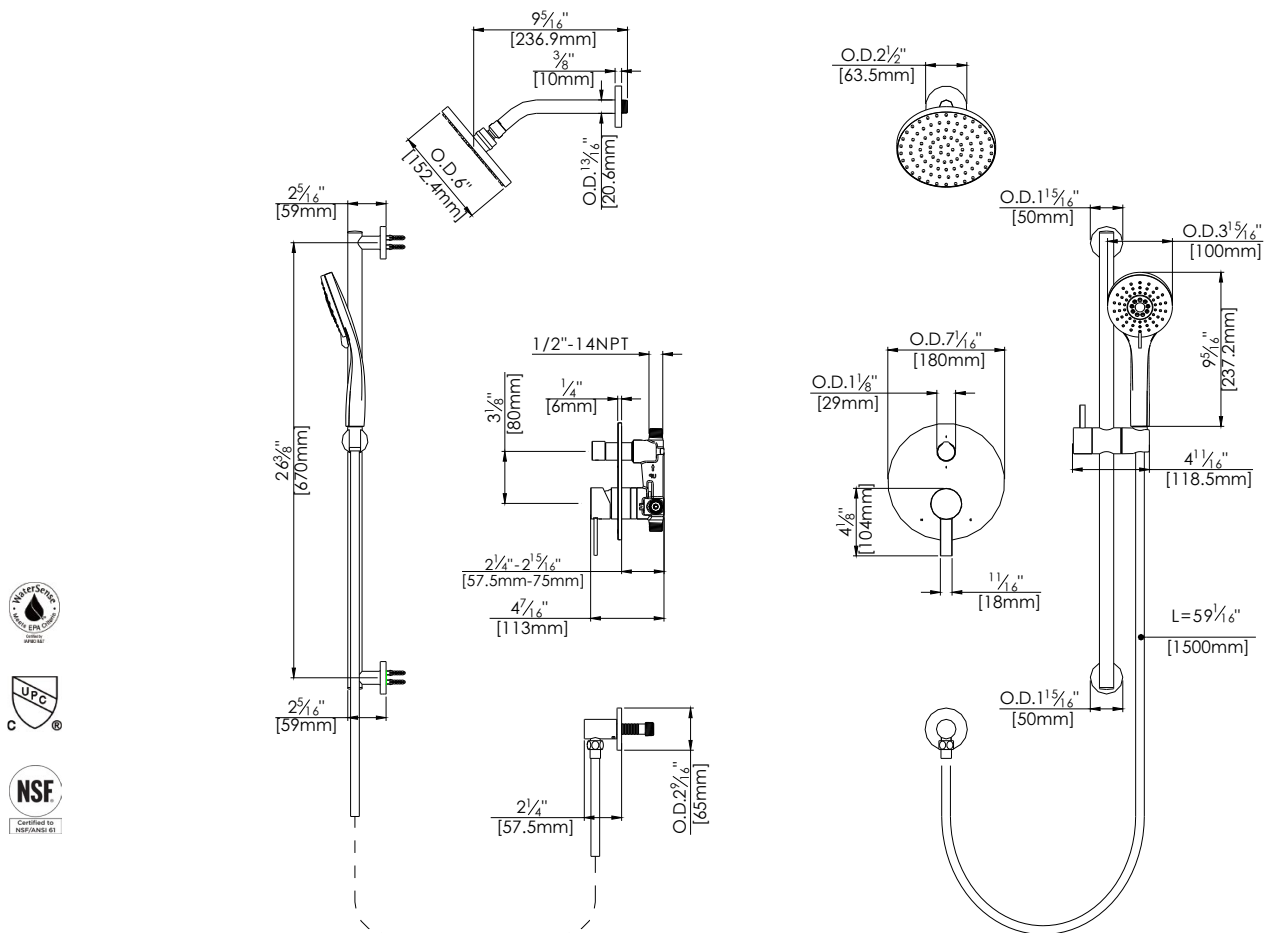


Available in Polished Chrome (CP) and Brushed Nickel (BN)



Technical Drawing

F242007T



Codes an

Warranty:

Limited Lifetime Faucet Warranty against material and manufacturing defects for residential use.

2 Year Limited Warranty on all industrial, commercial and business applications.

Kit Variations:

Kit with ADA diverter handle:

F242007T-AR

Kit with square style cover plate & diverter handle: **F242007T-S**

Flow Rate:

Shower Head 1.8 gpm @ 60 psig

Hand Shower 1.8 gpm @ 60 psig

Low Flow Alternative: Shower Head & Hand Shower @ 1.5 gpm: **F242007T-15**

