

Citi 8" Square Rain Shower Only Trim Kit

F241098T

Specifications:

- Metal construction for durability and reliability
- Pressure balancing volume control
- Maximum temperature limit stop for added safety
- Integral stop check valves for easy maintenance
- Valve and trim packages are sold separately
- Requires the fluid F1001B pressure balancing valve, (sold separately and available in solder, PEX and PEX-W.)
- ADA compliant




Components:

F1001T	Cartridge Sleeve
FP6024041	Citi Handle
FP6001033-1PB	Square Cover Plate
FP6007108	16" Rain Shower Arm
FP6001050	8" Brass Rain Shower Head*

* Matte black features the ABS FP6001150MB Rain Shower Head



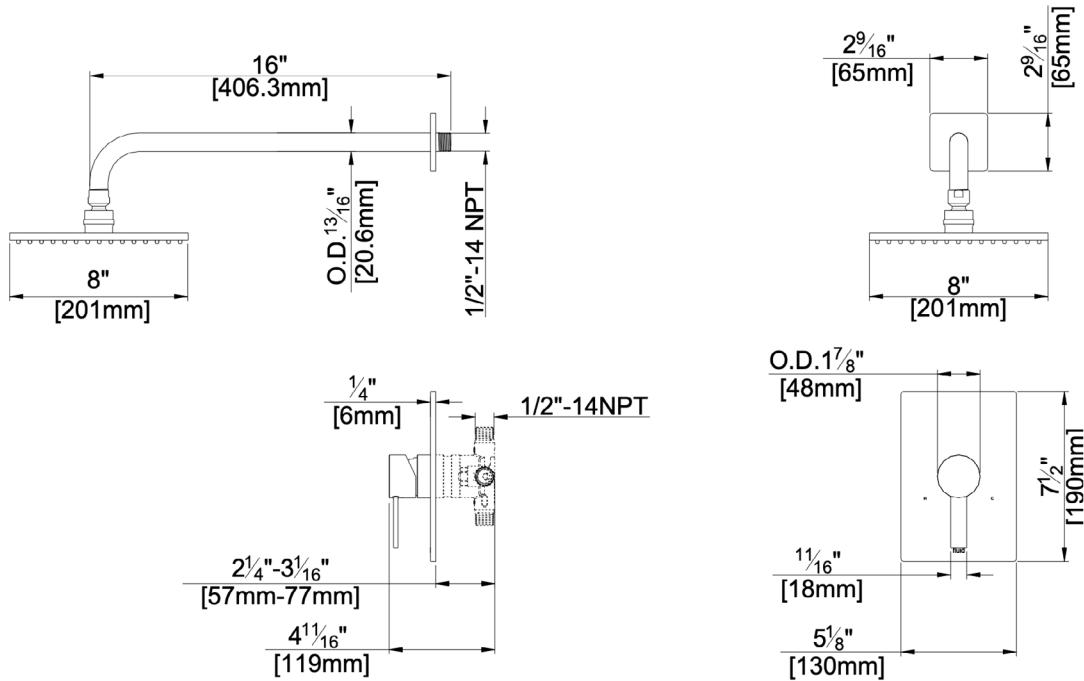
Features:

-  Requires F1001B
-  Bubble Level
-  Integral Stops

Polished Chrome (CP), Brushed Nickel (BN) and Matte Black (MB)

Technical Drawing

F241098T



Codes and Standards: ANSI/ASME A112.18.1, CSA B125.1, IAPMO/cUPC Listed, EPA Watersense Listed

Warranty:

Limited Lifetime Faucet Warranty against material and manufacturing defects for residential use.

2 Year Limited Warranty on all industrial, commercial and business applications.

Kit Variations:

Kit with round style cover plate & diverter handle: **F241098T-R**

Flow Rate:

Shower Head 1.8 gpm @ 60 psig

F241098T October 2023

fluid by **Sustainable Solutions**

8395 Riverbend Court, Burnaby, BC
V3N 5E7, Canada

