

Citi 6" Shower Head Only Trim Kit

F241003T

Specifications:




- Metal construction for durability and reliability
- Pressure balancing volume control
- Maximum temperature limit stop for added safety
- Integral stop check valves for easy maintenance
- Valve and trim packages are sold separately
- Requires the fluid F1001B pressure balancing valve, (sold separately and available in solder, PEX and PEX-W.)
- ADA compliant

Components:

F1001T	Sleeve Tube and Cap
FP6024041	Citi Handle
FP6001035-1PB	Round Cover Plate
FP6000350	6" Shower Head
FP6016008	8" Shower Arm



Features:

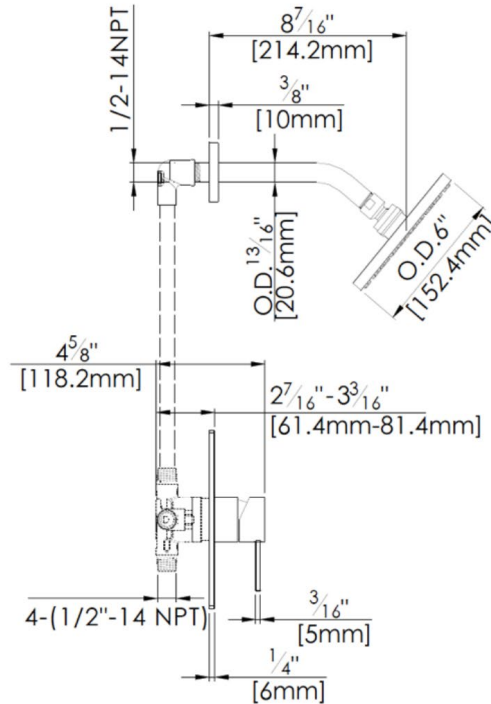
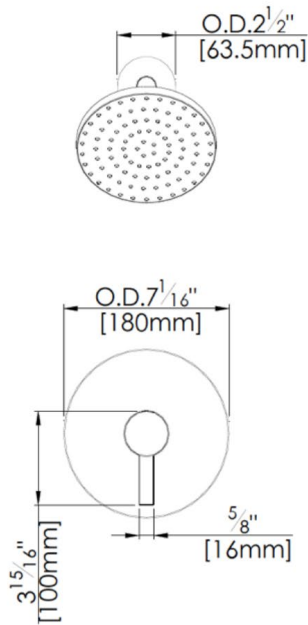
-  Requires F1001B
-  Bubble Level
-  Integral Stops

Polished Chrome (CP), Brushed Nickel (BN) and Matte Black (MB)



Technical Drawing

F241003T



Codes and Standards: ANSI/ASME A112.18.1, CSA B125.1, IAPMO /cUPC Listed, EPA Watersense Listed

Warranty:

Limited Lifetime Faucet Warranty against material and manufacturing defects for residential use.

2 Year Limited Warranty on all industrial, commercial and business applications.

Kit Variations:

Kit with square style cover plate & diverter handle: **F241003T-S**

Flow Rate:

Shower Head 1.8 gpm @ 60 psig

Low Flow Alternative: Shower Head @ 1.5 gpm: **F241003T-15**