

Utopia Tub & 6" Shower Trim Kit (Single Handle)

F184102T

Specifications:

- ➔ Metal construction for durability and reliability
- ➔ Pressure balancing with 2-way, single handle diverting and temperature control
- ➔ Max-temperature limit stop for added safety
- ➔ Integral stop check valves for easy maintenance
- ➔ Valve and trim packages are sold separately
- ➔ Requires the fluid F1002B pressure balancing valve, (sold separately and available in solder, PEX and PEX-W.)

Components:

F1001T	Sleeve tube and cap
FP6018041	Utopia Handle
FP6001035-2PS	Round Cover Plate
FP6016008	8" Shower Arm
FP6000350	6" Shower Head
FP6057034	PipeTub Spout



Features:

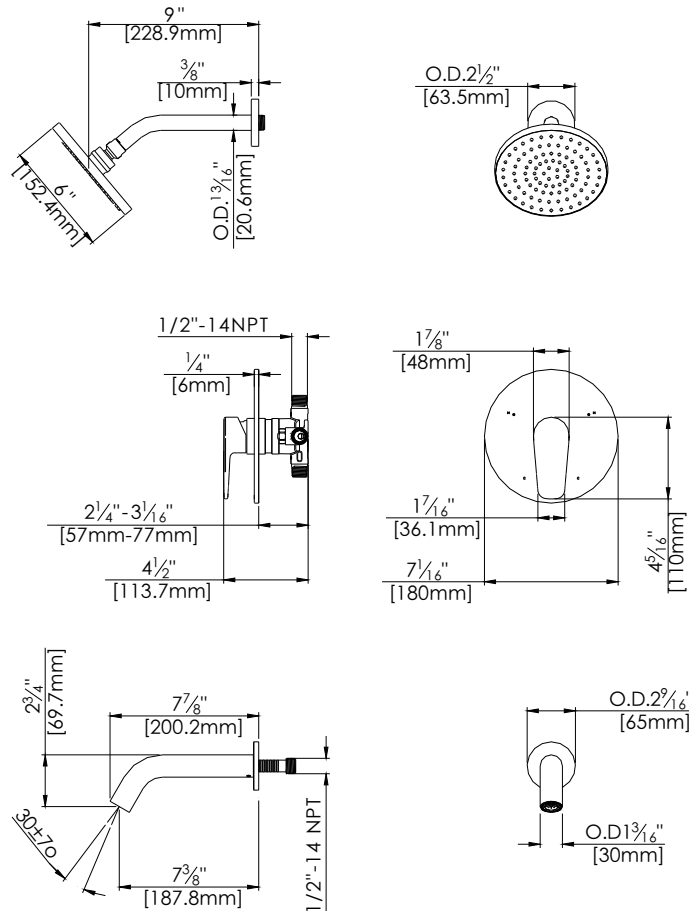
-  Requires F1002b
-  Bubble Level
-  Integral Stops
-  Speed Connect

Available in Polished Chrome (CP) and Brushed Nickel (BN)



Technical Drawing

F184102T



Warranty:

Limited Lifetime Faucet Warranty against material and manufacturing defects for residential use.

2 Year Limited Warranty on all industrial, commercial and business applications.

Codes and Standards:

ANSI/ASME A112.18.1

CSA B125.1

IAPMO / cUPC Listed

Flow Rate:

Shower Head 1.8 gpm @ 60 psig

Tub Spout 4.5 gpm @ 60 psig

Low Flow Alternative: Shower Head @ 1.5 gpm: **F184108T-15**