

Wisdom Tub & 6" Shower Trim Kit (Single Handle)

F284108T

Specifications:

- Metal construction for durability and reliability
- Pressure balancing with 2-way, single handle diverting and temperature control
- Max-temperature limit stop for added safety
- Integral stop check valves for easy maintenance
- Valve and trim packages are sold separately
- Requires the fluid F1002B pressure balancing valve, (sold separately and available in solder, PEX and PEX-W.)

Components:

F1001T	Sleeve Tube and Cap
FP6028341	Wisdom Handle
FP6001035-2PS	Round Cover Plate
FP6016008	8" Shower Arm
FP6000350	6" Shower Head
FP6057034	Round Tub Spout



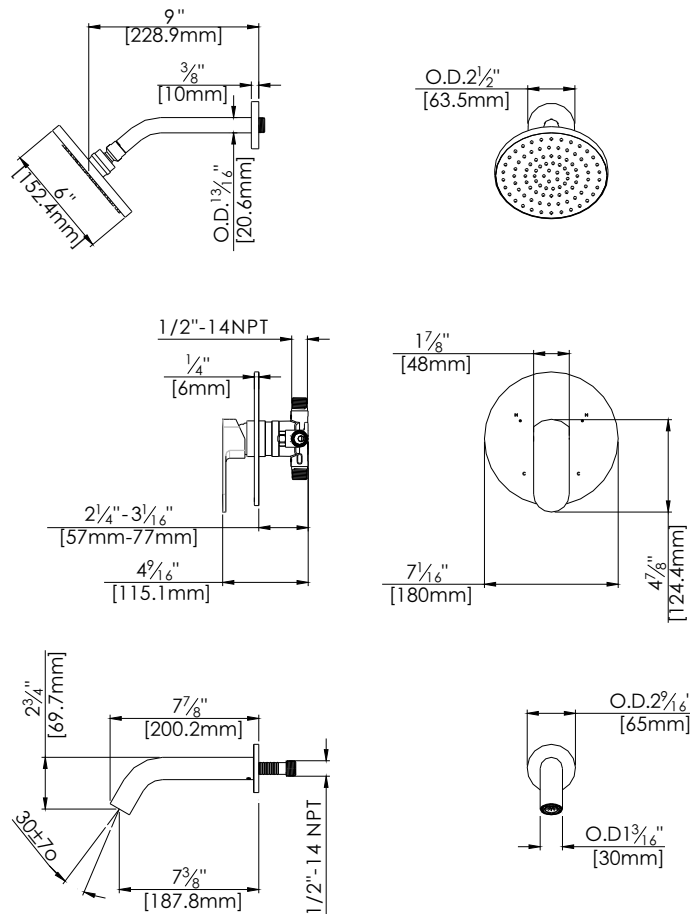
Features:

- Requires F1002b
- Bubble Level
- Integral Stops
- Speed Connect

Polished Chrome (CP), Brushed Nickel (BN) and Matte Black (MB)

Technical Drawing

F284108T



Warranty:

Limited Lifetime Faucet Warranty against material and manufacturing defects for residential use.

2 Year Limited Warranty on all industrial, commercial and business applications.

Codes and Standards:

ANSI/ASME A112.18.1

CSA B125.1

IAPMO / cUPC Listed

Flow Rate:

Shower Head 1.8 gpm @ 60 psig

Tub Spout 4.5 gpm @ 60 psig

Low Flow Alternative: Shower Head @ 1.5 gpm: **F284108T-15**