


## Specifications

- Heavy brass forged body construction for durability
- Pressure balancing with built in 2-way diverter ceramic cartridge ensures anti-scald operation with life-long trouble - free service
- Built-in anti-back flow devices prevent cross flow.
- Single lever handle operation allows flow diversion and temperature control
- Integral stop valves for easy maintenance
- Three inlet connection option: 1/2" CxC soldering & 1/2" NPT thread or PEX or PEX-W
- Adjustable installation depth from 2 3/8" (60mm) to 3 1/8" (80mm)
- Enables back-to-back installation
- Bubble level is provided for easy and accurate installation.
- Mud guard is provided to protect trim finish.
- A wide selection of decorative trims are sold separately

### Codes and Standards

- ANSI/ASME A112.18.1
- CSA B125.1
- IAPMO / cUPC Listed 

### Warranty

Limited Lifetime Faucet Warranty against material and manufacturing defects for residential use.

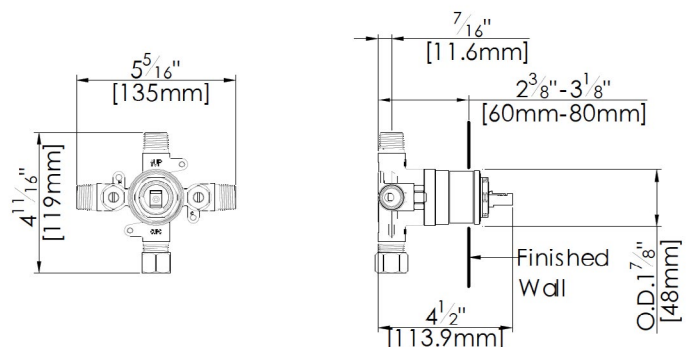
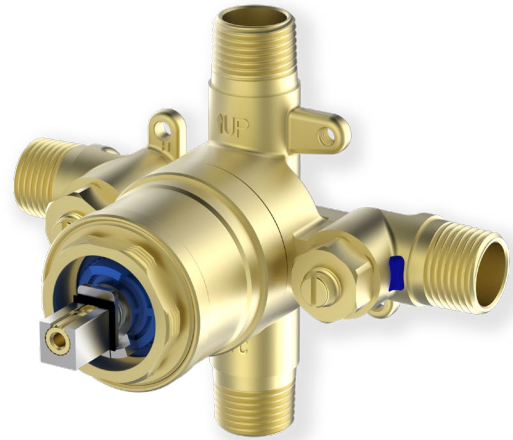
2 Year Limited Warranty on all industrial, commercial and business applications.

## Features:

-  Heavy Brass
-  Integral Stops
-  Ceramic Disc Cartridge
-  Bubble Level

## Pressure Balancing Two Way Valve (Single Handle)

F1002B 



Forged from Heavy Brass

### Models Available:

- **Solder/NPT:** F1002B
- **PEX:** F1002B-PEX
- **PEX-W:** F1002B-PEX-W

### Flow Rate:

- 4.5 gpm @ 60 psig