

Wisdom 5 Function Shower Head & Hand Shower Trim Kit

F282204T

Specifications:

- ➔ Metal construction for durability and reliability
- ➔ Pressure balancing volume control with 2-way, two handle diverting
- ➔ Max-temperature limit stop for added safety
- ➔ Integral stop check valves for easy maintenance
- ➔ Valve and trim packages are sold separately
- ➔ Requires the fluid F1012B pressure balancing valve, (sold separately and available with shut off or ****sharing** in solder, PEX and PEX-W.)

Components:

F1001T	Sleeve Tube and Cap
FP6028341	Wisdom Handle
FP801013	Diverter Sleeve
FP605652	Diverter Handle
FP6001142-2PB	Round Cover Plate
FP6016008	8" Shower Arm
FP20100	5 Function Shower Head
FP6001048	Round Hand Shower
FA105	Slide Bar
FP6002047	Wall Outlet
FP6001006	60" Shower Hose

****sharing** available where allowed by code

Kit with Alternate Handle: **F282204T-AR**



Features:

-  Requires F1012B
-  Bubble Level
-  Integral Stops
-  Speed Connect

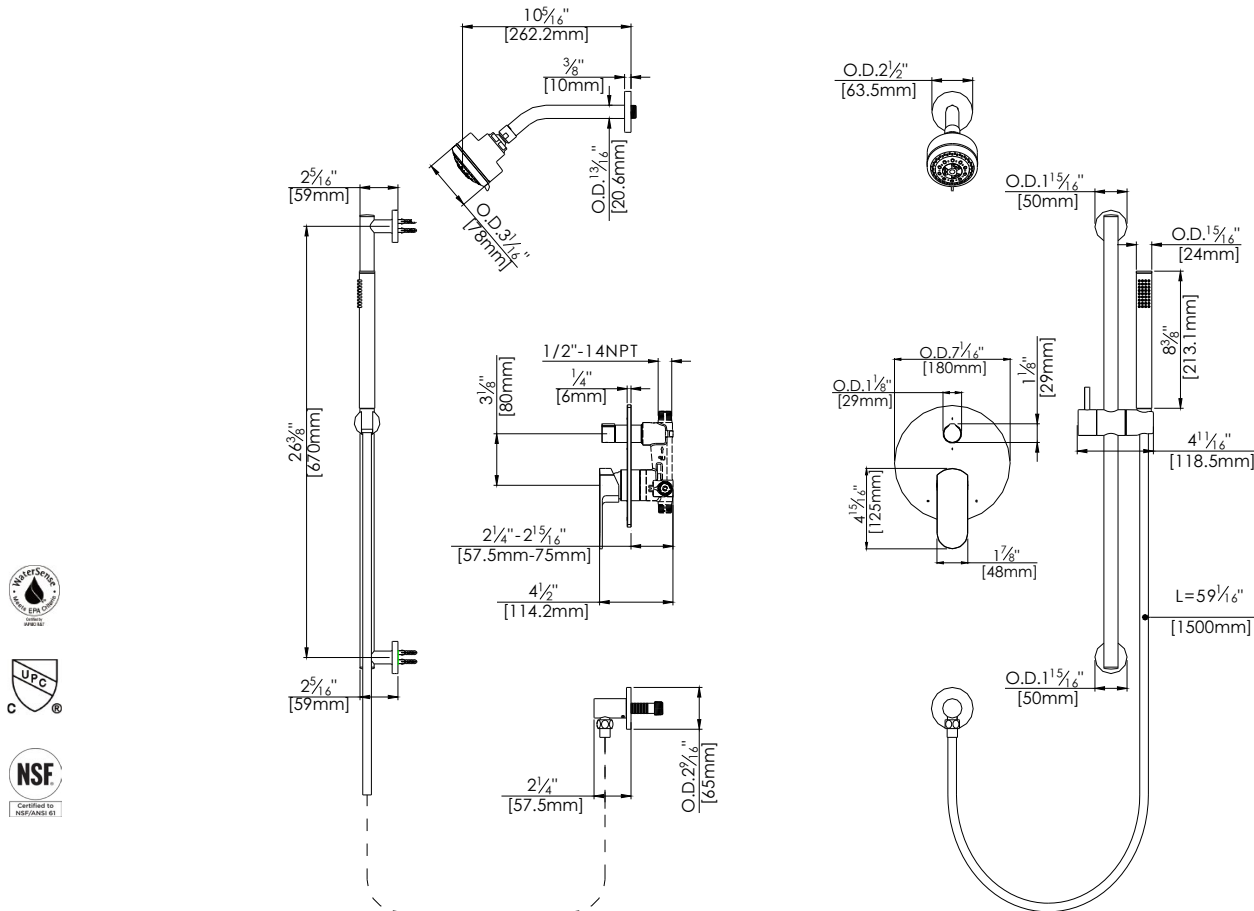


Available in Polished Chrome (CP) and Brushed Nickel (BN)



Technical Drawing

F282204T



Warranty:

Limited Lifetime Faucet Warranty against material and manufacturing defects for residential use.
2 Year Limited Warranty on all industrial, commercial and business applications.

Codes and Standards:

ANSI/ASME A112.18.1
CSA B125.1
IAPMO / cUPC Listed

Flow Rate:

Shower Head 1.8 gpm @ 60 psig
Hand Shower 1.8 gpm @ 60 psig

Low Flow Alternative: Shower Head & Hand Shower @ 1.5 gpm: **F282204T-15**