

Wisdom 8" Rain Shower Head Only Trim Kit

F281203T

Specifications:

- Metal construction for durability and reliability
- Pressure balancing volume control
- Max-temperature limit stop for added safety
- Integral stop check valves for easy maintenance
- Valve and trim packages are sold separately
- Requires the fluid F1001B pressure balancing valve, (sold separately and available in solder, PEX and PEX-W.)



Components:

F1001T	Sleeve Tube and Cap
FP6028341	Wisdom Handle
FP6001035-1PB	Round Cover Plate
FP6002050	8" Shower Head*
FP6006008	16" Shower Arm

* The ABS FP6002150MB Rain Shower Head is utilized in the F281203TMB Matte Black kit



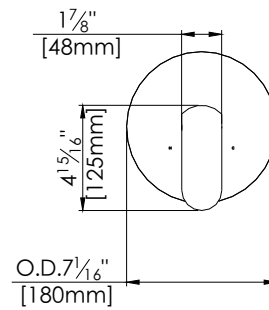
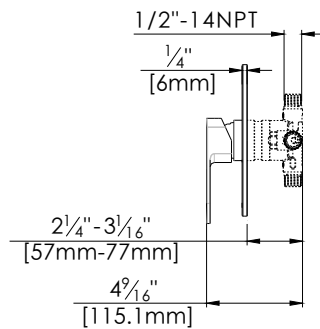
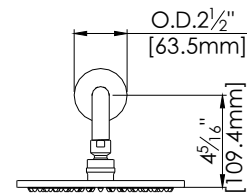
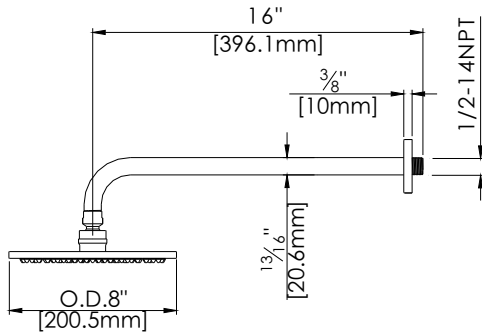
Features:

-  Requires F1001B
-  Bubble Level
-  Integral Stops

Polished Chrome (CP), Brushed Nickel (BN) and Matte Black (MB)

Technical Drawing

F281203T



Warranty:

Limited Lifetime Faucet Warranty against material and manufacturing defects for residential use.

2 Year Limited Warranty on all industrial, commercial and business applications.

Codes and Standards:

ANSI/ASME A112.18.1

CSA B125.1

IAPMO / cUPC Listed

Flow Rate:

Shower Head 1.8 gpm @ 60 psig