

Utopia Tub, 3 Function Hand Shower and 8" Rain Shower Kit

F183024T

Specifications:

- ➔ Metal construction for durability and reliability
- ➔ Pressure balancing volume control with 3-way, two handle diverting
- ➔ Max-temperature limit stop for added safety
- ➔ Integral stop check valves for easy maintenance
- ➔ Valve and trim packages are sold separately
- ➔ Requires the fluid F1003B pressure balancing valve, (sold separately and available with shut off or ****sharing** in solder, PEX and PEX-W.)

Components:

F1001T	Sleeve tube and cap
FP6018041	Utopia Handle
FP801013	Diverter Sleeve
FP605752	Diverter Handle
FP6001143-3PB	Cover Plate
FP6002050	8" Brass Showerhead
FP40120	3 Function Hand Shower
FA802	Slide Bar With Integral Outlet
FP6001006	60" Shower Hose
FP6031034	Utopia Tub Spout

****sharing** available where allowed by code

Kit with Alternate Handle: **F183024T-AR**



Features:

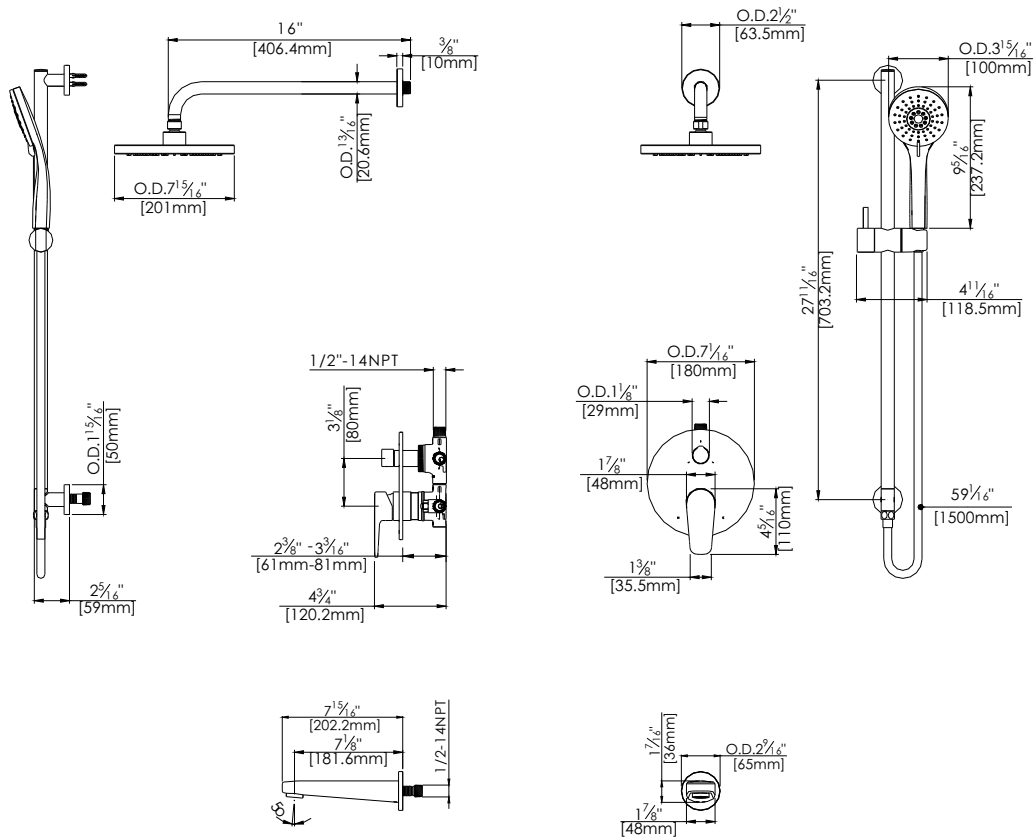
- Requires F1003B
- Bubble Level
- Integral Stops
- Speed Connect

Available in Polished Chrome (CP) and Brushed Nickel (BN)



Technical Drawing

F183024T



Warranty:

Limited Lifetime Faucet Warranty against material and manufacturing defects for residential use.
2 Year Limited Warranty on all industrial, commercial and business applications.

Codes and Standards:

ANSI/ASME A112.18.1
CSA B125.1
IAPMO / cUPC Listed

Flow Rate:

Shower Head 1.8 gpm @ 60 psig
Hand Shower 1.8 gpm @ 60 psig
Tub Spout 4.5 gpm @ 60 psig

Low Flow Alternative: Hand Shower & @ 1.5 gpm: **F183024T-15**