

Utopia Tub, 8" Ceiling Rain Shower & Hand Shower Trim Kit

F183009T

Specifications:

- ➔ Metal construction for durability and reliability
- ➔ Pressure balancing volume control with 3-way two handle diverting
- ➔ Max-temperature limit stop for added safety
- ➔ Integral stop check valves for easy maintenance
- ➔ Valve and trim packages are sold separately
- ➔ Requires the fluid F1003B pressure balancing valve, (sold separately and available with shut off or ****sharing** in solder, PEX and PEX-W.)

Components:

F1001T	Sleeve tube and cap
FP6018041	Utopia Handle
FP801013	Diverter Sleeve
FP605752	Diverter Handle
FP6001143-3PB	Round Cover Plate
FP6018008	6" Ceiling Shower Arm
FP6002150	8" Shower Head
FP40120	3 Function Hand Shower
FA802	Slide Bar With Integral Outlet
FP6001006	60" Shower Hose
FP6031034	Utopia Tub Spout

****sharing** available where allowed by code

Kit with Alternate Handle: **F183009T-AR**



Features:

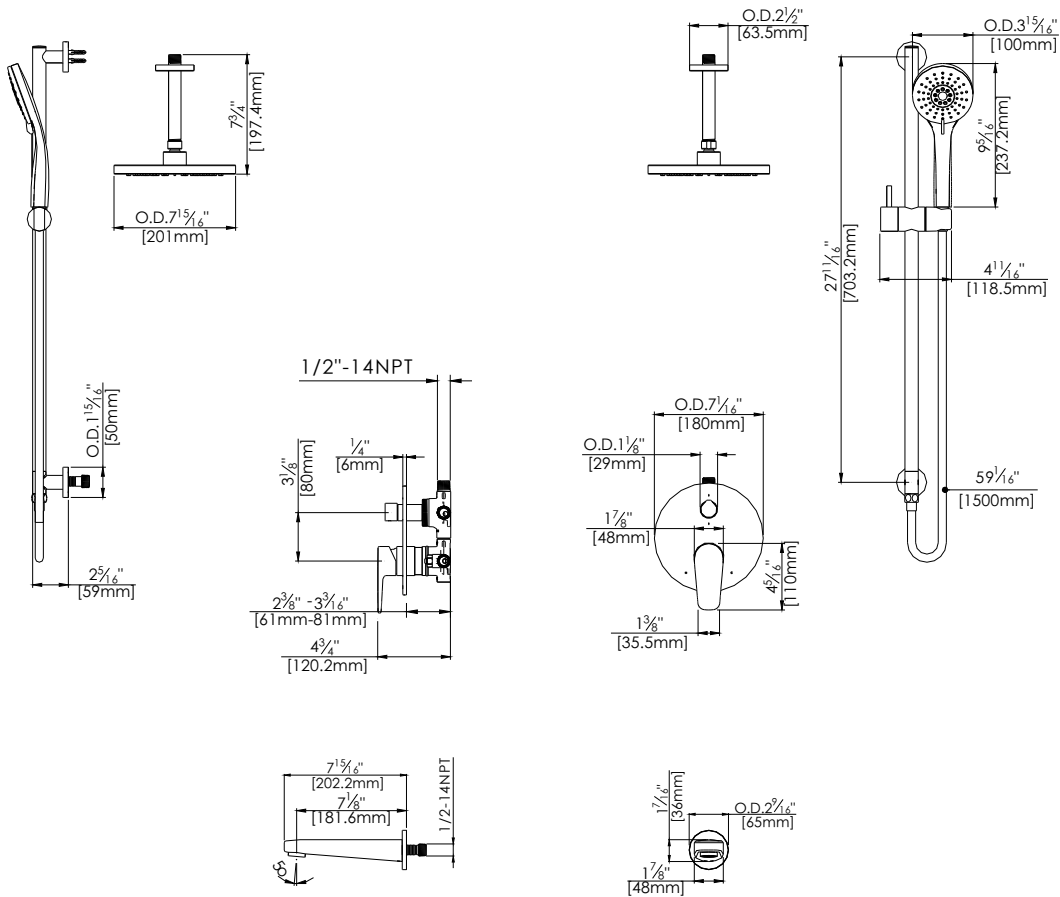
-  Requires F1003B
-  Bubble Level
-  Integral Stops
-  Speed Connect

Available in Polished Chrome (CP) and Brushed Nickel (BN)



Technical Drawing

F183009T



Warranty:

Limited Lifetime Faucet Warranty against material and manufacturing defects for residential use.
2 Year Limited Warranty on all industrial, commercial and business applications.

Codes and Standards:

ANSI/ASME A112.18.1
CSA B125.1
IAPMO / cUPC Listed

Flow Rate:

Shower Head 1.8 gpm @ 60 psig
Hand Shower 1.8 gpm @ 60 psig
Tub spout 4.5 gpm @ 60 psig

Low Flow Alternative: Hand Shower @ 1.5 gpm: **F183009T-15**