

## Utopia 5 Function Shower Head & Hand Shower Trim Kit

F182204T

### Specifications:

- ➔ Metal construction for durability and reliability
- ➔ Pressure balancing volume control with 2-way, two handle diverting
- ➔ Max-temperature limit stop for added safety
- ➔ Integral stop check valves for easy maintenance
- ➔ Valve and trim packages are sold separately
- ➔ Requires the fluid F1012B pressure balancing valve, (sold separately and available with shut off or **\*\*sharing** in solder, PEX and PEX-W.)

### Components:

F1001T .....	Sleeve tube and cap
FP6018041 .....	Utopia Handle
FP801013 .....	Diverter Sleeve
FP605652 .....	Diverter Handle
FP6001142-2PB .....	Round Cover Plate
FP6016008 .....	8" Shower Arm
FP20100 .....	5 Function Shower Head
FP6001048 .....	Round Hand Shower
FA105 .....	Slide Bar
FP6002047 .....	Wall Outlet
FP6001006 .....	60" Shower Hose

**\*\*sharing** available where allowed by code

Kit with Alternate Handle: **F182204T-AR**



### Features:

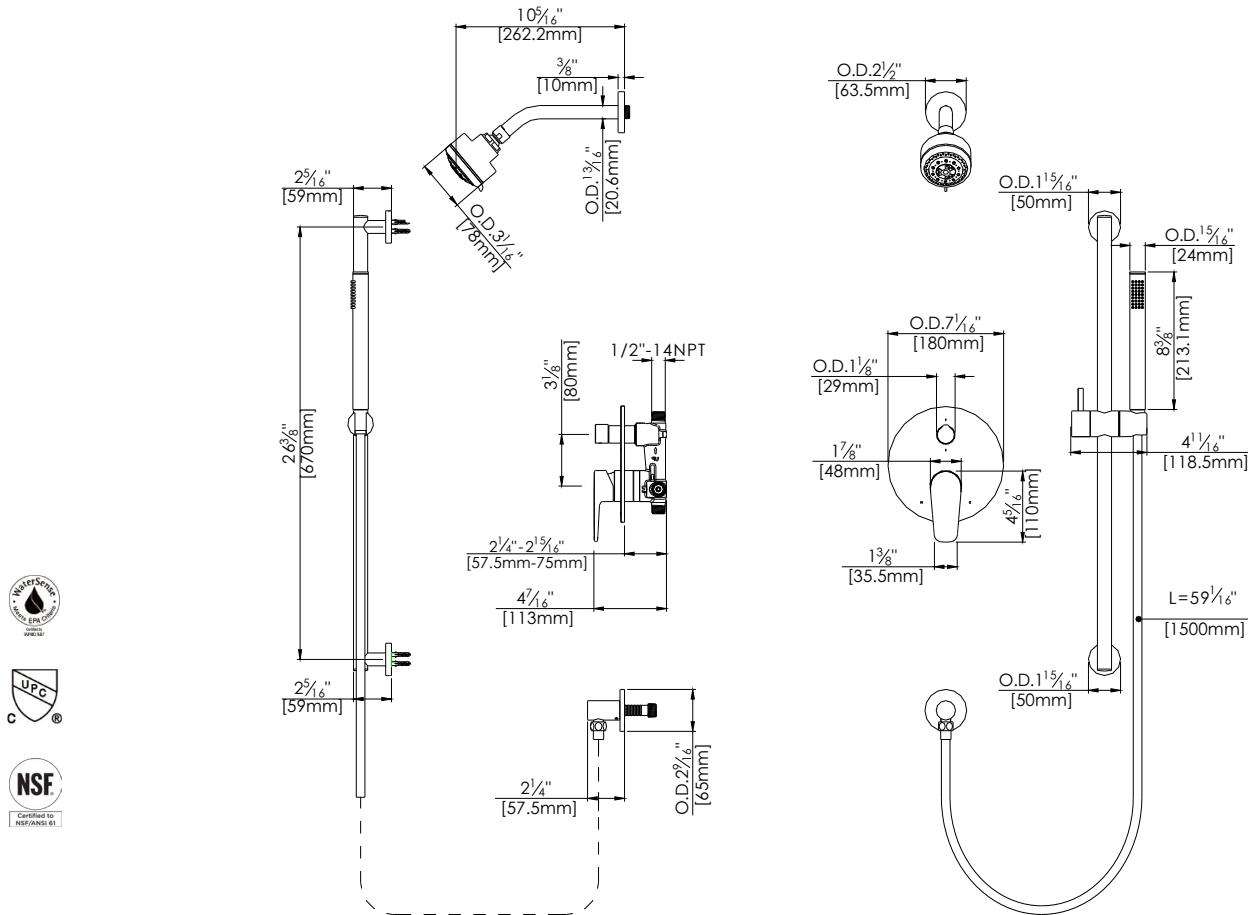
-  Requires F1012B
-  Bubble Level
-  Integral Stops
-  Speed Connect



Available in Polished Chrome (CP) and Brushed Nickel (BN)

## Technical Drawing

## F182204T



### Warranty:

Limited Lifetime Faucet Warranty against material and manufacturing defects for residential use.

2 Year Limited Warranty on all industrial, commercial and business applications.

### Codes and Standards:

ANSI/ASME A112.18.1

CSA B125.1

IAPMO / cUPC Listed

### Flow Rate:

Shower Head 1.8 gpm @ 60 psig

Hand Shower 1.8 gpm @ 60 psig

Low Flow Alternative: Shower Head & Hand Shower @ 1.5 gpm: **F182204T-15**